

# HITACHI

## Instruction Manual

**8**

8mm Video Camcorder

**VM-E625LA**



**Hitachi Home Electronics (America), Inc.**  
3890 Steve Reynolds Blvd., Norcross, GA 30093  
Tel. 770-279-5600

**HITACHI (HSC) CANADA INC**  
3300 Trans Canada Highway, Pointe Claire,  
Quebec, H9R 1B1, CANADA  
Tel. 514-697-9150

**HITACHI SALES CORPORATION OF HAWAII, INC**  
3219 Koapaka Street, Honolulu, Hawaii 96819  
Tel. 808-836-3621

*Thank you for buying a Hitachi product. Please take time to become familiar with the manual and how it is set up. Keep it handy for feature reference.*

QR15092 © Hitachi, Ltd. 1996

Printed in Japan KR-R(N)

## TABLE OF CONTENTS

For Your Safety.....	3
IMPORTANT SAFEGUARDS.....	4
IMPORTANT SAFETY INSTRUCTIONS FOR AC ADAPTER/CHARGER.....	7
Read This First.....	7
Before You Begin.....	8
Features.....	8
Components and Accessories.....	8
Optional RF Adapter.....	9
Attaching the Shoulder Strap.....	9
Lens Cap.....	9
Getting Started.....	10
Charging the Battery.....	10
Adjusting the Electronic Viewfinder.....	12
Eyepiece Adjustment.....	12
Adjustment the Hand Strap.....	12
Loading Batteries.....	13
Using Alternative Power Sources.....	17
Inserting and Removing Cassettes.....	18
Using the Linear Time Counter.....	19
Remaining Tape.....	19
Setting the Date and Time.....	20
Getting Started, Identifying Controls.....	21
Basic Techniques.....	25
Making a Basic Recording.....	25
Playback.....	25
Playing Back Your Recording on Your TV.....	27
Advanced Techniques.....	28
Changing the Angle of the LCD Monitor when Recording.....	28
Date Recording.....	29
Using the Power Zoom.....	30
Using the Digital Zoom.....	31
Using the INST. ZOOM (Instant Zoom) Button.....	31
Using Auto Focus.....	32
Using Manual Focus.....	33
Using the Electronic Image Stabilizer.....	33
Using Fade.....	34
Using 16x9.....	35
Using Instant Review.....	35
Using Quick Edit.....	35
Using Macro.....	36
Date Search.....	36
Using Memory.....	37
Using the Display Button.....	37
Using the Wireless Remote Control.....	38
Creating and Recording A Title.....	38
Dubbing from the camcorder to a VCR.....	40
Using Synchro Edit.....	40

Simple Programmable Edit (Edit remote control is optional accessory).....	41
Controlling Your TV with the Camcorder's Remote Control .....	44
Using Audio/Video Dubbing .....	45
Recording Television Programs .....	45
Attaching the Optional Wide or Tele Converter Lens .....	46
Attaching the Optional DC Camera Light .....	46
General Maintenance.....	48
Cleaning the camcorder Heads.....	48
Cleaning the Lens and Picture Tube of the Electronic Viewfinder .....	48
Periodic Maintenance .....	49
Troubleshooting .....	49
Specifications .....	52
Accessories Add Excitement .....	53
Available Accessories.....	53
More Available Accessories.....	53
To Order in the United States.....	53

## For Your Safety

The CAM/OFF/VIDEO switch turns the camcorder on and off, leaving the date/time feature unaffected. If the unit is to be left unattended for a long period of time, turn the camcorder off and attach the lens cap.

**WARNING:** TO PREVENT FIRE OR SHOCK HAZARD, DO NOT EXPOSE THIS UNIT TO RAIN OR MOISTURE.

The camcorder and AC adapter/charger have the following caution marks.



### Identifications of caution marks



This symbol warns the user that uninsulated voltage within the unit may have sufficient magnitude to cause electrical shock. Therefore, it is dangerous to make any kind of contact with any inside part of this unit.



This symbol alerts the user that important literature concerning the operation and maintenance of this unit has been included. Therefore, it should be read carefully to avoid any problems.

**CAUTION:** TO REDUCE THE RISK OF ELECTRIC SHOCK, DO NOT OPEN.  
NO USER-SERVICEABLE PARTS INSIDE.  
REFER SERVICING TO QUALIFIED SERVICE PERSONNEL.

**WARNING:** TO PREVENT FIRE OR ELECTRIC SHOCK, MATCH WIDE BLADE OF PLUG TO WIDE SLOT, AND FULLY INSERT PLUG.

**WARNING:** Many television programs and films are copyrighted. In certain circumstances, copyright law may apply to private in-home videotaping of copyrighted materials.

This Class B digital apparatus meets all requirements of the Canadian Interference-Causing Equipment Regulations.

The liquid crystal display (LCD) panel is made by highly precise technology. More than 99.99% of its picture elements (pixels) are effective, but some (less than 0.01%) may appear

as colored bright dots. This does not indicate a fault as the LCD panel stretches the limits of current technology.

**Warning:** This device complies with Part 15 of the FCC Rules. Operation is subject to the following two conditions: (1) This device may not cause harmful interference, and (2) this device must accept any interference received, including interference that may cause undesired operation.

**Note:** This equipment has been tested and found to comply with the limits for a Class B digital device, pursuant of Part 15 of the FCC Rules. These limits are designed to provide reasonable protection against harmful interference in a residential installation. This equipment generates, uses, and can radiate radio frequency energy and, if not installed and used in accordance with the instructions, may cause harmful interference to radio communications. However, there is no guarantee that interference will not occur in a particular installation. If this equipment does cause harmful interference to radio or television reception, which can be determined by turning the equipment off and on, the user is encouraged to try to correct by one or more of the following measures:

- Reorient or relocate the receiving antenna.
- Increase the separation between the equipment and receiver.
- Connect the equipment into an outlet on a circuit different from that to which the receiver is connected.
- Consult the dealer or an experienced radio/TV technician for help.

**Caution to the user:** Changes or modifications not expressly approved by the manufacture could void the user's authority to operate the equipment.

**"Note to CATV system installer:** This reminder is provided to call the CATV system installer's attention to Article 820-40 of the NEC that provides guidelines for proper grounding and, in particular, specifies that the cable ground shall be connected to the grounding system of the building, as close to the point of cable entry as practical".

**Notes:**

- This unit uses 8mm video format cassettes.
- It records and plays back in the SP mode (14.3 mm/sec).
- It cannot record and play back in the LP mode (7.2 mm/sec).
- This camcorder uses a Hi-Fi stereo sound system. When a tape recorded by this camcorder is played by a conventional 8mm camcorder, monaural sound is output. When a tape recorded by a conventional 8mm camcorder is played by this machine, monaural sound is output.

**MOISTURE**

Avoid operating your camcorder immediately after moving it from a cold place to a warm, humid place. Give the camcorder 2 to 3 hours to stabilize in the ambient conditions of the surroundings before inserting a cassette. When moved from a cold place to a warm, humid place, moisture may condense on the head drum inside the machine. This moisture could cause the tape to stick to the headwheel and damage the headwheel or tape.

When a small amount of moisture is sensed, "TAPE" flashes in the viewfinder. Remove the cassette and set the CAM/OFF/VIDEO switch to OFF, then wait for about one hour.

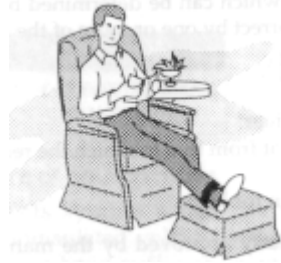
## IMPORTANT SAFEGUARDS

In addition to the careful attention devoted to quality standards in the manufacture of your video product, safety is a major factor in the design of every instrument. But, safety is your responsibility too.

This page lists important information that will help to assure your enjoyment and proper use of a Video camcorder and accessory equipment. Please read it carefully before operating your video product and keep it in a handy place for future reference.

### INSTALLATION

**1 Read and Follow Instructions** -- All the safety and operating instructions should be read before the video product is operated. Follow-all operating and use instructions.



**2 Retain Instructions** -- The safety and operating instructions should be retained for future reference.

**3 Heed Warnings** -- Comply with all warnings on the video product and in the operating instructions.

**4 Polarized Plug** -- This video product is equipped with a polarized alternating-current line plug (a plug having one blade wider than the other). This plug will fit into the power outlet only one way. This is a safety feature. If you are unable to insert the plug fully into the outlet, try reversing the plug. If the plug should still fail to fit, contact your electrician to replace your obsolete outlet. To prevent electric shock do not use this polarized plug with an extension cord, receptacle or other outlet unless the blades can be fully inserted without blade exposure. If you need an extension, use a polarized cord.



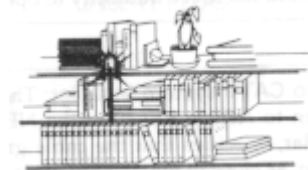
**5 Power Sources** -- This video product should be operated only from the type of power source indicated on the marking label. If you are not sure of the type of power supply to your home, consult your video dealer or local power company. For video products intended to operate from battery power, or other sources, refer to the operating instructions.

**6 Overloading** -- Do not overload wall outlets and extension cords as this can result in a risk of fire or electric shock. Overloaded AC outlets and extension cords are dangerous, and so are frayed power cords, damaged or cracked wire insulation and broken plugs. They may result in a shock or fire hazard. Periodically examine the cord and have it replaced by your service technician if appearance indicates damage or deteriorated insulation.



**7 Power-Cord Protection** -- Power-supply cords should be routed so that they are not likely to be walked on or pinched by items placed upon or against them, paying particular attention to cords at plugs, convenience receptacles, and the point where they exit from the appliance.

**8 Ventilation** -- Slots and openings in the cabinet are provided for ventilation to ensure reliable operation of the video product and to protect it from overheating. These openings must not be blocked or covered. The openings should never be blocked by placing the video product on a bed, sofa, rug or other similar surface. This video product should never be placed near or over a radiator or heat register. This video product should not be placed in a built-in installation such as a bookcase or rack unless proper ventilation is provided or the video product manufacturer's instructions have been followed.



**9 Attachments** -- Do not use attachments unless recommended by the video product manufacturer as they may cause hazards.

**Caution:** Maintain electrical safety. Powerline operated equipment or accessories connected to this unit should bear the UL listing mark or CSA certification mark on the accessory itself and should not have been modified so as to defeat the safety features. This will help avoid any potential hazard from electric shock or fire. If in doubt, contact qualified service personnel.

**10 Water and Moisture** -- Do not use this video product near water - for example, near a bath tub, wash bowl, kitchen sink, or laundry tub, in a wet basement, or near a swimming pool, and the like.

**11 Accessories** -- Do not place this video product on an unstable card, stand, tripod, bracket, or table. The video product may fall, causing serious injury to a child or adult, and serious damage to the appliance. Use only

with a cart, stand, tripod, bracket, or table recommended by the manufacturer, or sold with the video product. Any mounting of the product should follow the manufacturer's instructions, and should use a mounting accessory recommended by the manufacturer.

**11A** An appliance and cart combination should be moved with care. Quick stops, excessive force, and uneven surfaces may cause the appliance and cart combination to overturn.



**12 Outdoor Antenna Grounding** -- If an outside antenna or cable system is connected to the video product, be sure the antenna or cable system is grounded so as to provide some protection against voltage surges and built-up static charges. Section 810 of the National Electrical Code, ANSI/NFPA No. 70, provides information with respect to proper grounding of the mast and supporting structure, grounding of the lead-in wire to an antenna discharge unit, size of grounding conductors, location of antenna-discharge unit, connection to grounding electrodes, and requirements for the grounding electrode. See example below:

EXAMPLE OF ANTENNA GROUNDING

**13 Power Lines** -- An outside antenna system should not be located in the vicinity of overhead power lines or other electric light or power circuits, or where it can fall into such power lines or circuits. When installing an outside antenna system, extreme care should be taken to keep from touching or approaching such power lines or circuits as contact with them might be fatal. Installing an outdoor antenna can be hazardous and should be left to a professional antenna installer.

**USE**

**14 Cleaning** -- Unplug this video product from the wall outlet before cleaning. Do not use liquid cleaners or aerosol cleaners. Use a damp cloth for cleaning.

**15 Object and Liquid Entry** -- Never push objects of any kind into this video product through openings as they may touch dangerous voltage points or short-out parts that could result in a fire or electric shock. Never spill liquid of any kind on the video product.



**16 Lightning** -- For added protection for this video product during a lightning storm, or when it is left unattended and unused for long periods of time, unplug it from the wall outlet and disconnect the antenna or cable-system. This will prevent damage to the video product due to lightning and power-line surges.



**SERVICE**

**17 Servicing** -- Do not attempt to service this video product yourself as opening or removing covers may expose you to dangerous voltage or other hazards. Refer all servicing to qualified service personnel.

**18 Conditions Requiring Service** -- Unplug this video product from the wall outlet and refer servicing to qualified service personnel under the following conditions.

- a. When the power-supply cord or plug is damaged
- b. If liquid has been spilled, or objects have fallen into the video product.
- c. If the video product has been exposed to rain or water.
- d. If the video product does not operate normally by following the operating instructions. Adjust only those controls that are covered by the operating instructions. Improper adjustment of other controls may result in damage and will often require extensive work by a qualified technician to restore the video product to its normal operation.

e. If the video product has been dropped or the cabinet has been damaged.

f. When the video product exhibits a distinct change in performance - this indicates a need for service.

**19 Replacement Parts** -- When replacement parts are required, have the service technician verify that the replacements he uses have the same safety characteristics as the original parts. Use of replacements specified by the video product manufacturer can prevent fire, electric shock or other hazards.

**20 Safety Check** -- Upon completion of any service or repairs to this video product, ask the service technician to perform safety checks recommended by the manufacturer to determine that the video product is in safe operating condition.

**21 Heat** -- The product should be situated away from heat sources such as radiators, heat registers, stoves, or other products (including amplifiers) that produce heat.

## IMPORTANT SAFETY INSTRUCTIONS FOR AC ADAPTER/CHARGER

1. Save these Instructions -- This page contains important safety and operating instructions for AC Adapter/Charger Model VM-AC 85A.

2. Before using AC Adapter/Charger, read all instructions and cautionary markings on (1) AC Adapter/Charger, (2) battery and (3) product using battery.

3. Also read all instructions on pages 4 and 5.

**4. Caution** -- To reduce risk of injury, charge only rechargeable battery, VM-BP82G, VM-BP82 or VM-BP84. Other types of batteries may burst causing personal injury and damage.

5. Do not expose charger to rain or snow.

6. Use of an attachment not recommended or sold by the battery charger manufacturer may result in a risk of fire, electric shock, or injury to persons.

7. To reduce risk of damage to electric plug and cord, pull by plug rather than cord when disconnecting charger.

8. Make sure cord is located so that it will not be stepped on, tripped over, or otherwise subjected to damage or stress.

9. Do not operate charger with damaged cord or plug - replace them immediately.

10. An extension cord should not be used unless absolutely necessary.

Use of improper extension cord could result in a risk of fire and electric shock. If extension cord must be used, make sure:

A. The pins on plug of extension cord are the same number, size, and shape as those of plug on charger.

B. That extension cord is properly wired and in good electrical condition; and

C. That wire size should be met below:

Minimum

AWG size	Length of extension cord (feet)
----------	---------------------------------

18	Equal to or less than 100
----	---------------------------

16	Equal to or less than 150
----	---------------------------

11. Do not operate charger if it has received a sharp blow, been dropped, or otherwise damaged in any way; take it to a qualified serviceman.

12. Do not disassemble charger: take it to a qualified serviceman when service or repair is required. Incorrect reassembly may result in a risk of electric shock or fire.

13. To reduce risk of electric shock, unplug charger from outlet before attempting any maintenance or cleaning.

## Read This First

*To guide you, we've included:*

- A "Before You Begin" section containing important cautions for your family's safety as well as instruction for getting your video camcorder ready for use. Please read and understand this section thoroughly before moving on.

- A "Getting Started" section to familiarize yourself with the controls and prepare you for recording.

- A "Basic Techniques" section to allow you to use your video camcorder quickly and confidently before advancing to the more sophisticated features of the Hitachi VM-E625LA.

- "Advanced Techniques" to help you with some of the exciting, sophisticated features of the Hitachi VM-E625LA. We hope you will take the time to learn about these functions since they have been designed for you. You can use the video camcorder without reading this section.

- A "General Maintenance" section to help keep your purchase in good repair.

*We want this manual to be as helpful as possible, so it includes two easy ways to find the information you need:*



- A quick index for the information you use most often (this page).
  - A detailed table of contents directing you to specific information quickly (page 10).
- Get to know your video camcorder by using this manual, and get to know Hitachi. We appreciate your business.*

### Quick Index

Charging the Battery.....	12
Making a Basic Recording.....	27
PlayBack.....	27
Using Power Zoom.....	35
Using Digital Zoom.....	35
Using the Wireless Remote Control.....	42
Dubbing from camcorder to VCR.....	45

## Before You Begin

Any problems that occur as a result of any of the following conditions will not be covered by our warranty.

Be careful that no water, dust or sand enters the camcorder and all accessories.

When you shoot at a scene which contains an extremely bright object such as the sun or a light source, a bright vertical bar may appear in the picture.

Your camcorder is functioning properly, but the solid-state pickup device (C.C.D) usually causes this as an inherent characteristic. Try to avoid shooting an excessive bright object directly.

Be sure not to leave the camcorder in a place where the temperature exceeds 140°F (60°C), or the pickup device may be damaged.

Dangerous includes:

- Inside a car with the windows closed and in direct sunshine.
- Near heating appliances.

Do not leave the viewfinder lens facing sunlight for a prolonged period, or the phosphorescent surface of the cathode ray tube or the liquid crystal display (LCD) panel may be damaged.

## Features

- Easy to use
- 3-inch color liquid display (LCD) monitor
- 24x zoom ratio
- Instant zoom
- Multi-function TV/Cam remote control
- Electronic image stabilization (EIS)
- Recorded date search
- Automatic title recording

iiWith this camcorder you can view the picture being recorded or the playback picture whether on the LCD monitor or in the viewfinder. Opening or closing the LCD monitor switches the picture to appear on the LCD monitor or in the viewfinder. The following text describes the operation assuming that the viewfinder is used as a major monitor device.

## Components and Accessories

Check that you have all the following components and accessories before proceeding.

1. Audio/video cable
2. Battery pack
3. AC adapter/charger
4. Batteries for date/title and remote control
5. Shoulder strap



6. DC cord
7. Remote control
8. Lens cap string



## Optional RF Adapter

If you wish to connect this camcorder to a television that does not have audio/video input jacks you will need to use the optional RF adapter model VM-RF86A (R).

The RF adapter can be purchased by calling the telephone number below. For your convenience Visa, Master Card, and American Express credit cards are accepted. The RF adapter can also be purchased by mail by sending either money order or your credit card information to the following address:

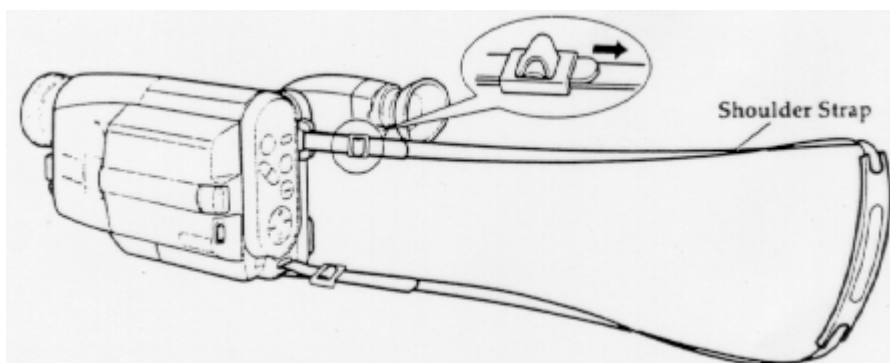
HiTRON, Inc.  
675, Old Peachtree RD.  
Suwanee, GA 30174  
Tel: 1-800-995-4500

For more information concerning the purchase of camcorder accessories, please see the optional accessory listing on page 65.

## Attaching the Shoulder Strap

Thread the ends of the provided shoulder strap through the slots at the back of the camcorder and thread through the shoulder straps' buckles.

**Note:** Make sure that the straps are securely fastened before using the shoulder strap to carry the camcorder.



## Lens Cap

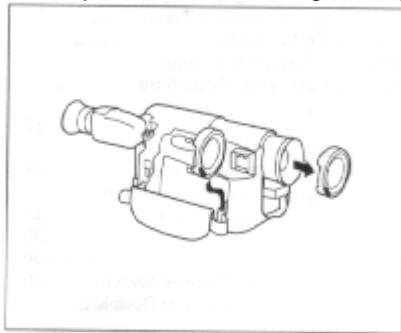
## Using the lens cap string:

Pass the string through the lens cap and grip belt and attach it as shown in the figure.



## Removing the lens cap

Always attach the lens cap to protect the lens when carrying or storing the camcorder. During shooting attach the lens cap as shown in the figure to prevent it from being lost.



## Getting Started

*This section guides you through the initial preparation of the camcorder. None of these processes are complex. Set aside some time, relax, and familiarize yourself with this quality instrument. Enjoy getting to know all about your Hitachi 8mm camcorder. The more comfortable and familiar you are with the machine and its features, the more you can make it do for you. Let's get started! It is crucial that you read and understand all the safety instructions before you begin. If you haven't read the safety instructions yet, please take the time to do so now.*

## Charging the Battery

*The first step is to set the battery to charge. It takes approximately 1 1/4 hours (VM-BP84), enough time to familiarize yourself with some of the basic features of the camcorder. Once fully charged the battery will give an operating time of approximately 40 minutes, but this is reduced to a half to one-third depending on how often you use zoom and start/stop functions.*

*Charge the battery at a temperature range of 50°F(10°C) - 86°F(30°C) to prevent damage to the battery.*

1. Plug the AC adapter/charger power cord into an AC outlet. Make sure that the wide blade fits into the wide slot. If it doesn't fit try reversing it. If you still cannot make fit the blades fully into the outlet either contact an electrician to replace your obsolete outlet, or use a polarized cord or outlet accessory.
2. To insert the battery into the charger align the reference arrow on the battery with the reference arrow on the AC adapter/charger. Push the battery till it is flush with the AC adapter/charger sliding it in the direction of the arrow as shown in the figure.
3. The CHARGE light remains on while the battery charges, turning off when charging completes.

**Note:** Remove the DC cord from the AC adapter/charger before attempting to charge the battery. The CHARGE light flashes if the DC cord remains connected while you attempt to charge the battery.

**Note:** Do not operate the battery at temperature below 14°F (-10°C) or above 95°F (35°C). At extremely low

temperatures operation time decreases, while at high temperature the battery may be damaged.



After charging set the mark switch to red so that you may quickly identify whether the battery is charged or uncharged.

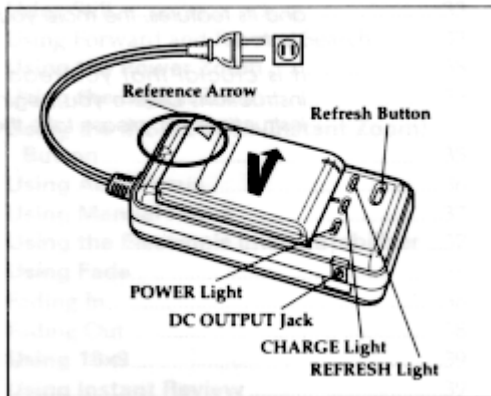
**Note:** The marker switch does not guarantee the batteries charge status.

## Additional Information

To use a battery in optimum condition:

- Use the battery until the low charge light ( ) flashes. Using a battery for a short time and then recharging it may shorten the operation time.
- It is recommended to refresh a battery before recharging it when it has not been used for long time; otherwise its operation time becomes short. Press the refresh button.

After refreshing is complete, the REFRESH light turns off and the CHARGE light turns on and charging begins automatically.



Refreshing a fully charged battery takes approximately 5 hours (VM-BP84), adding considerable time to battery charging.

With repeated normal charging and use the battery will gradually lose operating time. When operation time becomes too short to be useful, replace the battery.

If the POWER light begins to flash during charging, remove the battery and then reattach it to the AC charger/adaptor. If the POWER light continues to flash after several attempts to attach it, the battery is unable to take a charge and must be replaced.

Do not attach a hot battery to the AC adapter/charger. Allow it to cool. Attaching a hot battery to the AC adapter/charger causes the POWER light to flash.

THERE ARE NO USER-SERVICEABLE PARTS INSIDE THE BATTERY OR AC ADAPTER/CHARGER.  
THROWING THE BATTERY INTO FIRE OR EXPOSING IT TO EXCESSIVE HEAT (ABOVE 149°F [65°C]) MAY CAUSE INJURY.

SHORTING THE BATTERY'S TERMINAL INCREASES RISK OF FIRE OR ELECTRICAL SHOCK.

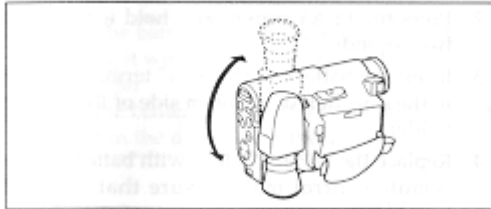
### ATTENTION:

The product that you have purchased contains a rechargeable battery. The battery is recyclable. At the end of its useful life, under various state and local laws, it may be illegal to dispose of this battery into the municipal waste stream. Check with your local solid waste officials for details in your area for recycling options or proper disposal.



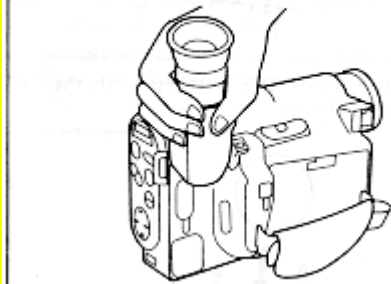
## Adjusting the Electronic Viewfinder

The electronic viewfinder adjusts simply by pivoting it to a position where it is comfortable and easy to see through. Place the viewfinder back in its original position before storing the camcorder in its case or carrying the camera recorder around to avoid damaging the viewfinder or camcorder.



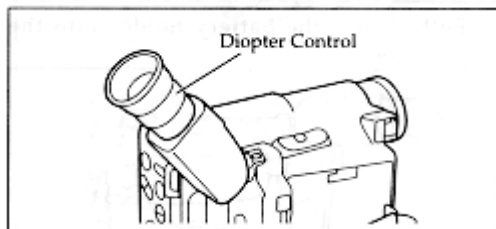
### CAUTION:

Do not hold the unit by the electronic viewfinder when carrying as this could cause a malfunction.



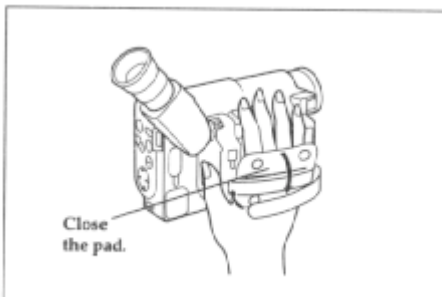
## Eyepiece Adjustment

To use the electronic viewfinder, turn this control for your optimum focus adjustment.



## Adjustment the Hand Strap

Adjust the hand strap to best fit your hand. After adjustment, hook the hand strap's pad securely.

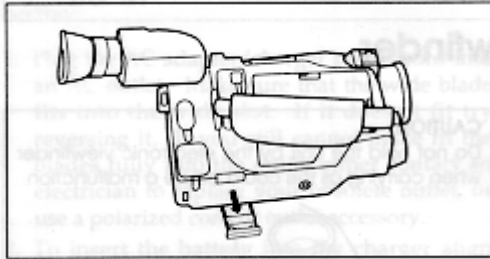


## Loading Batteries

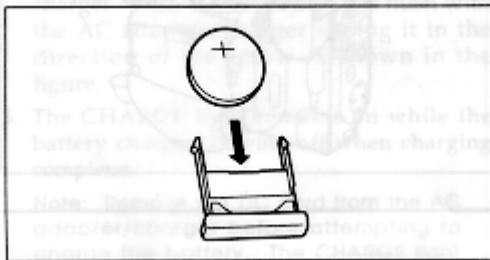
Install the batteries to prevent misplacing them.

### Clock Battery

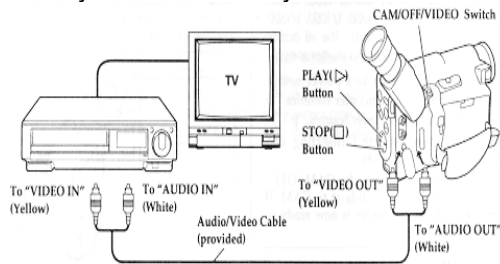
1. Pull out the battery holder.



2. Insert the battery with the "+" terminal facing up.

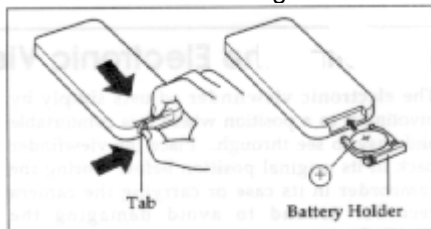


3. Fully insert the battery holder into the camcorder.



### Remote Control Battery

1. Push the tab to the right of the remote control and hold it, then remove the battery holder.



2. Press the PLAY button and hold it for about two seconds.
3. Insert the battery with the "+" terminal facing up as shown in the figure.
4. Replace the battery holder with battery in the remote control making sure that it is fully inserted.

**WARNING: KEEP THE BATTERIES AWAY FROM CHILDREN AND PETS.  
IF SWALLOWED CONSULT A PHYSICIAN IMMEDIATELY FOR EMERGENCY TREATMENT.**

**Note:** Replace the batteries with 3V micro lithium cells such as Maxell CR2025 or its equivalent.

**Note:** Dispose of battery safely in accordance with local laws. Do not dispose of in fire.

**Note:** Do not short circuit the batteries.

**Note:** Do not take apart the batteries.

**Note:** Do not hold the batteries with the metallic tweezers.

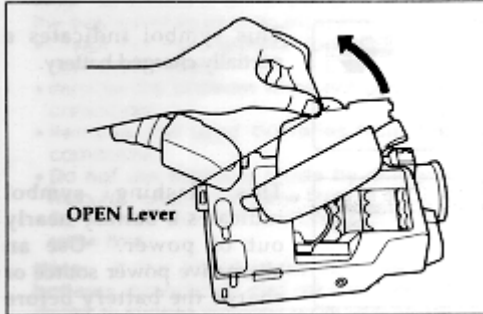
**Note:** Do not re-charge the batteries.

**Note:** Keep the batteries in a dark, cool, dry place.

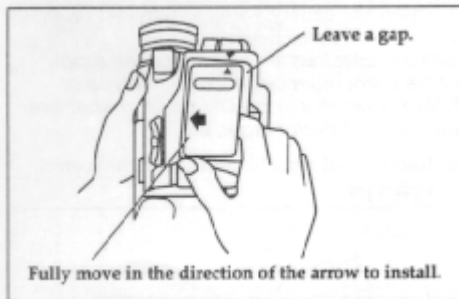
## Camcorder Batteries Using Battery Pack

Before you install the battery for the first time it must be fully charged. Refer to "Charging the Battery" on page 12 for details.

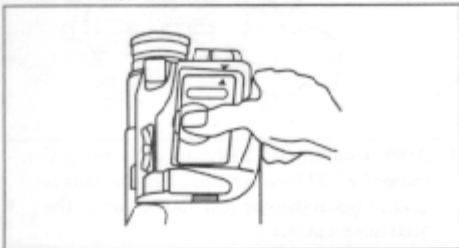
1. Lift the OPEN lever and pull it up. The power supply attachment cover will open.



2. With the battery compartment facing you, align arrow on the battery with the arrow on the camcorder.



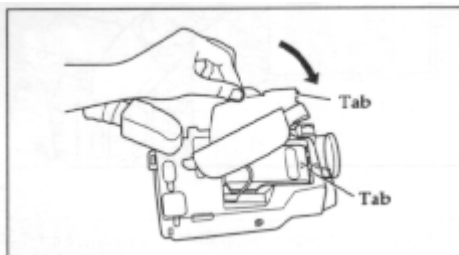
3. Once the arrows are aligned, push down on the battery.



4. While pushing down the battery, slide it to the right until it "clicks" into place.



5. After installing the battery, close the cover. Hold the OPEN lever and align the tabs on both sides of the cover with the end of the attachment section.



**Note:** If the OPEN lever is flat, the cover will not close.

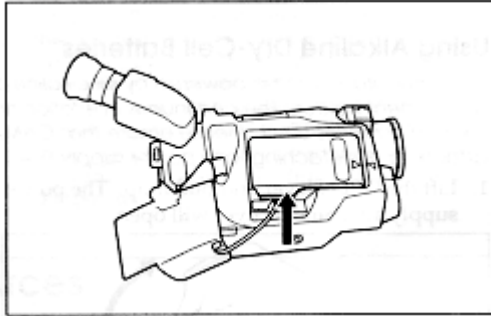
**Note:** Always remove the battery from the camcorder after use.

**Note:** We cannot guarantee against malfunctions of the camcorder which occur when you use battery packs other than those specified.

**Note:** Always attach a battery by the procedure described here. Attaching a battery forcibly could damage it.

## Removing the Battery Pack

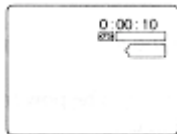
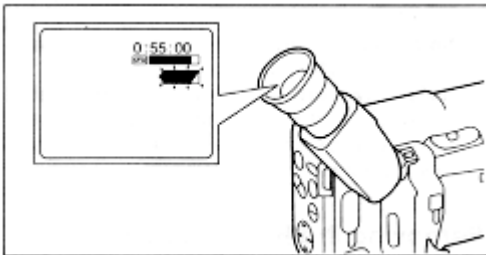
1. Lift the OPEN lever and pull it up. The power supply attachment cover will open.
2. Push the side of the battery in the direction of the arrow. A click will be heard and the battery is released.



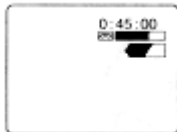
3. Remove the battery and close the cover.

## Checking the Battery's Charge

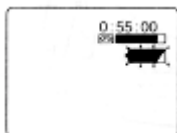
A battery charge indicator is located on the upper right corner of the viewfinder. One of three symbols displays when the battery is used.



This symbol indicates a fully charged battery.



This symbol indicates a partially charged battery.



This flashing symbol indicates a battery nearly out of power. Use an alternate power source or charge the battery before continuing to use the camcorder.

## Using Alkaline Dry-Cell Batteries

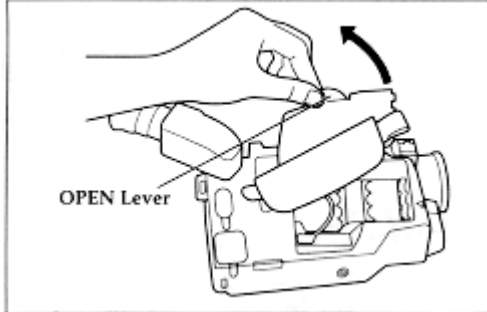
The camcorder can be powered by six alkaline dry-cell batteries inserted into the power supply attachment holder. The continuous operation time of the camcorder depends on the type of alkaline batteries used. Please ensure that CAM/OFF/VIDEO switch is in the OFF position whenever attaching or detaching any power supply (i.e. Battery, AC adapter/charger, etc.)

**Note:** When alkaline batteries are used to power the camcorder, power is not supplied to the LCD monitor, so

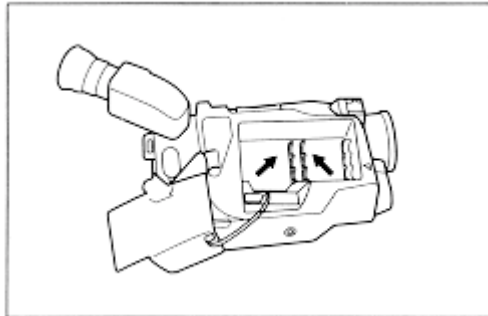


you cannot view a picture on the LCD screen.

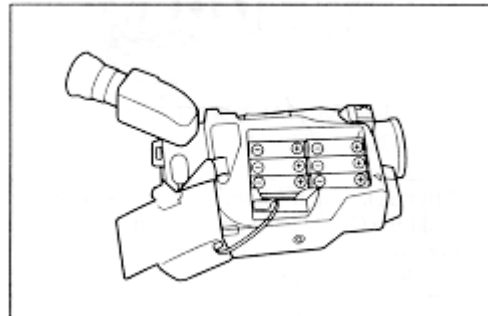
1. Lift the OPEN lever and pull it up. The power supply attachment cover will open.



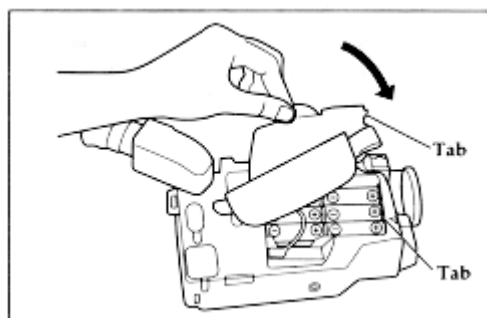
2. Lift the battery holder plates at the center of the attachment holder.



3. Insert six alkaline batteries with the correct polarities.



4. After installing the batteries, close the cover. Hold the OPEN lever and align the tabs on both sides of the cover with the end of the attachment section.



**Note:** Use only "AA" alkaline batteries marked "LR6". (Manganese batteries cannot be used to power the camcorder.)

**Note:** It is recommended that you use alkaline batteries within the recommended period of use or within two years of the date of manufacture.

**Note:** Be careful of the following to prevent the leakage of liquid or an explosion.

- Check that the orientation (polarity) of the batteries is correct.
- Remove the batteries when not using the camcorder.
- Remove the used batteries from the camcorder.
- Do not use batteries made by different manufacturers at the same time.

- Do not use old and new batteries at the same time.

**Note:** If the liquid leaks, remove the batteries immediately and ask your nearest dealer to inspect the camcorder (this will be at your own expense).


**Note:** Do not let the batteries or the terminals of the camcorder get dirty. If they are dirty, use a dry cloth to wipe off the dirt completely.

**Note:** It is recommended that you use a battery pack to power the camcorder when using a DC camera light. If a camera light is used when the camcorder is powered by batteries, the required supply voltage will be very short and the camcorder will turn off soon.

**Note:** When the batteries are used to power the camcorder in a cold place, it may not operate normally; the operation time may become extremely short or the camcorder may not be turned on. It is recommended that you use a battery pack to power the camcorder in a cold place. (At 50°F (10°C), the chemical reaction decreases the capacity of battery to one-tenth when compared to that at normal temperature 68°F (20°C).)

**Note:** Noise may appear momentarily in the viewfinder when recording is started or stopped.

**Note:** Be careful when touching the batteries with your bare hand to remove them as they are warm during and just use.

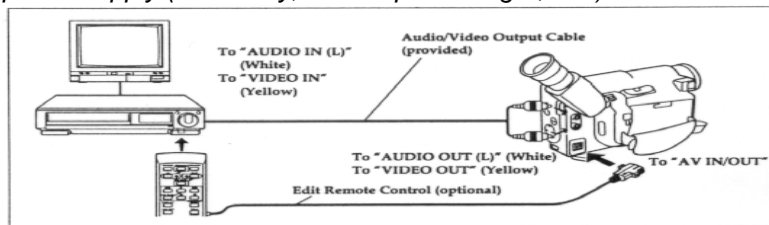
**Note:** Since the supply voltage from batteries decreases more abruptly when compared to that from a battery pack, the battery remaining level indicator (  ) may not flash in the viewfinder, noise may occur, the picture and sound may not be recorded normally and/or the power may be turned off soon. These phenomena occur because the capacity of batteries becomes low. So turn the power switch off and replace the batteries. If the power switch is left turned on in this state, the power may turn on temporarily and turn off again repeatedly.

**Note:** Be sure not to short, disassemble, heat or throw batteries into fire. This is very dangerous.

## Using Alternative Power Sources

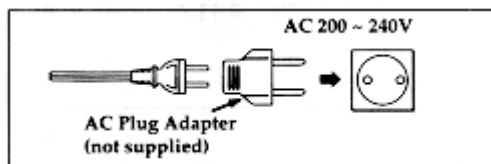
### Using the AC Adapter/Charger

Please ensure that the CAM/OFF/VIDEO switch is in the OFF position whenever attaching or detaching any power supply (ie. battery, AC adapter/charger, etc.)



1. Plug the AC adapter/charger power cord into an AC outlet. Make sure that the wide blade fits into the wide slot. If it doesn't fit try reversing it. If you still cannot make fit the blades fully into the outlet either contact an electrician to replace your obsolete outlet, or use a polarized cord or outlet accessory.
2. Connect one end of the DC cord (provided) to the DC IN jack of the camcorder. Connect the other end of the DC cord to the DC OUTPUT of the AC adapter/charger.

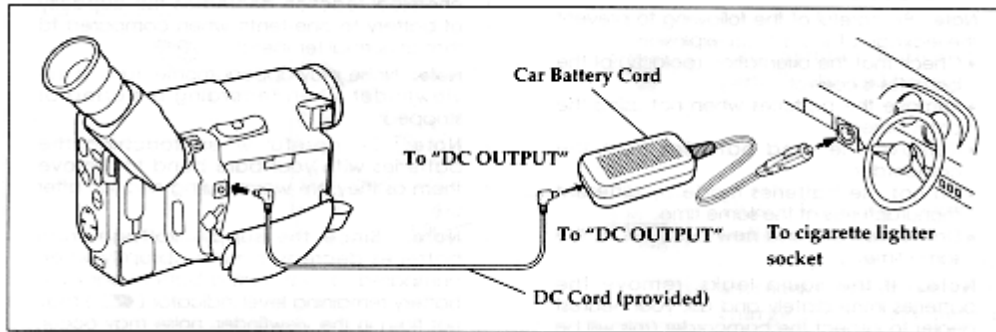
**Note:** The AC adapter/charger can be used around the world. An AC plug adapter is required in some foreign countries. If you need one purchase it at your Hitachi distributor.



**Note:** The battery level indicator sometimes displays the partial charge symbol when using the AC adaptor/charger. Ignore this indicator when using the AC adaptor/charger.

### Using a Car Battery

The camcorder can be powered with a car battery by using an optional car battery cord (Hitachi VM-CC80A) to plug the camcorder into the car's cigarette lighter socket. Please ensure that the CAM/OFF/VIDEO switch is in the OFF position whenever attaching or detaching any power supply (ie. battery, AC adapter/charger, etc.).



1. Plug the car battery cord into the car's cigarette lighter socket.
2. Connect one end of the DC cord (provided) to the DC IN jack of the camcorder. Connect to other end of the DC cord to the DC OUTPUT of the car battery cord.

**Note:** Only use the car battery cord with cars having 12/24 volt negative ground system.

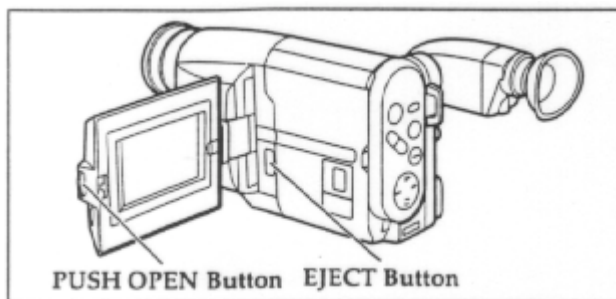
## Inserting and Removing Cassettes

A power source must be connected before inserting or removing cassettes. Once connected cassettes can be inserted or removed whether the CAM/OFF/VIDEO switch is on or off.

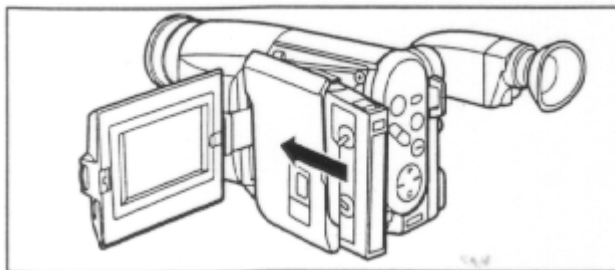
### Inserting a Cassette

1. Press the PUSH OPEN button to open the LCD monitor ("Opening the LCD Monitor", p25).
2. Press the EJECT button. The cassette door opens automatically.

**Caution:** Be careful not to catch your fingers between the cassette door and the camcorder as it could cut you.

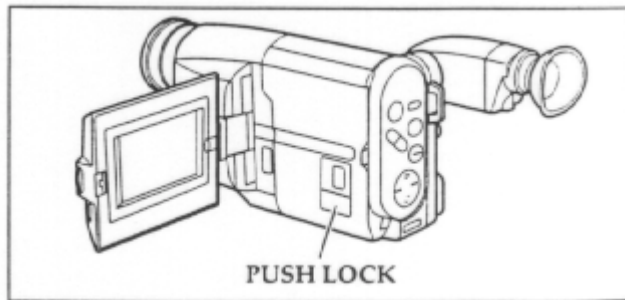


3. Place the cassette in the cassette holder so that the transparent window faces away from the body of the camcorder and the sprockets toward the body of the camcorder.



4. Push the cassette holder, which is embossed PUSH LOCK on the left hand side, until it "clicks" into place. The camcorder automatically closes.

**Caution:** Be sure that you push the cassette holder embossed PUSH LOCK to close the holder. Otherwise, the holder will not click into place and the tape may be slack which could lead to damage.



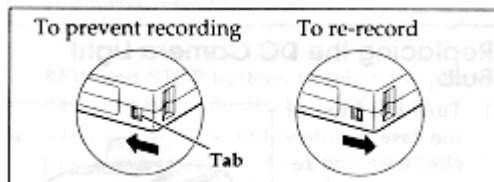
**Note:** If TAPE flashes in the viewfinder, remove the cassette and check that the tape is not damaged, is not slack or no dust adheres to it, etc. After making sure that there is no abnormality, reinsert the cassette. If TAPE reappears, see "Troubleshooting" on page 59.

## Removing a Cassette

Slide the EJECT switch in the direction of the arrow. The cassette door opens automatically. Remove the cassette.

## Protecting Recorded Material

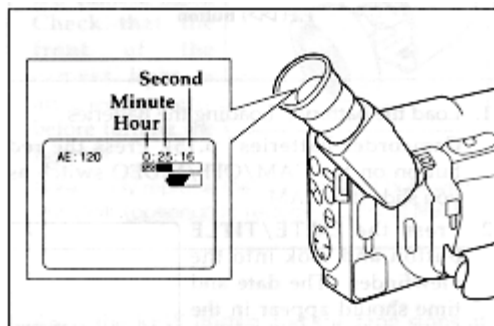
Protect 8mm cassettes from accidental erasure by sliding the tab on the side of the cassette towards the opposite side until the tab is completely visible. Slide the tab in the opposite direction, until the tab disappears, to record on the cassette again.



## Using the Linear Time Counter

The linear time counter displays the tape run in hours, minutes, and seconds, helping you to keep track of how long you've been filming or time you have left to film before running out of tape.

Turn the camcorder on to display the linear time counter. The linear time counter keeps track from when you load a cassette into the camcorder and clears to 0:00:00 when the cassette is ejected.



## Remaining Tape

The tape remaining display shows the remaining tape that can be used for recording and playback, using seven dashes. This feature is handy when recording since it lets you know how long you can record on the loaded tape. Insert a cassette into the camcorder and start recording or playback; 10 seconds later, the remaining tape will be displayed. When the cassette is ejected, the display will disappear. " [cassette icon] ----- " is displayed for 10 seconds after the tape starts to run.



**Note:** The tape remaining display appears 10 seconds after the tape starts to run.

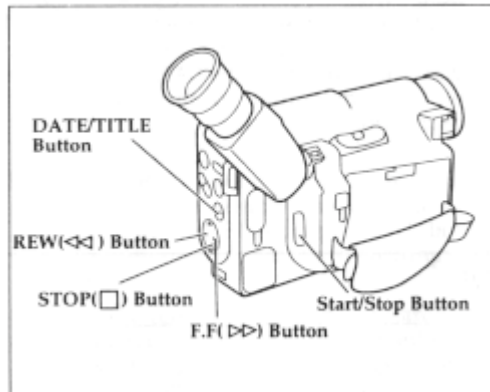
**Note:** When the remaining tape time becomes less than about three minutes, TAPE END flashes in the viewfinder or LCD monitor.

## Setting the Date and Time

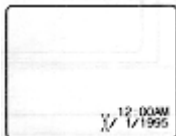
Take the time to set the date and time now. The date and time can be recorded on your tapes to act as a handy reference when viewing them later. Use the following procedure to set up the display for the current date and time.

**Note:** Be sure to insert the clock battery before setting the date and time. Although the date and time can be set without the clock battery inserted, they will disappear when the battery providing power to the camcorder is removed.

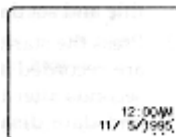
Make sure that the current time is displayed correctly before you start filming.



1. Load the battery ("Loading the Batteries: Camcorder batteries" p15). Press the red button on the CAM/OFF/VIDEO switch as you slide it to CAM.
2. Press the DATE/TITLE button and look into the viewfinder. The date and time should appear in the lower right with the "1" flashing.



3. Pressing the F.F button gives you higher numbers while the REW button gives you lower numbers. Select the right month and press STOP button. Use the F.F, REW and STOP buttons to select the proper day, year, hour, minute, and AM or PM.



4. After setting the AM/PM, press the DATE/TITLE button. The display changes and the internal clock starts.



**Note:** After the date and time are set, " AUTO" appears and the camcorder enters the automatic date recording mode. See "Date Recording" on page 34.

## Correcting the Date and Time

1. Press the DATE/TITLE button while pressing the STOP button. The flashing cursor appears at the month.
2. Move to where you need to make the correction with the STOP button and use the F.F and REW to correct.
3. Press the DATE/TITLE button to set the corrected date and time.

## Getting Started, Identifying Controls

Left side/Rear Camera Illustration

### 1. Lens

F1.6 (4~48mm) 12:1 power zoom lens with auto focus and auto iris functions.

### 2. Electronic Viewfinder

### 3. PUSH OPEN Button

Push this button to open the LCD monitor.

### 4. Speaker

You can listen to the recorded sound.

### 5. Microphone

### 6. Record Indicator

This indicator lights when the camcorder is recording.

### 7. Infrared Receiver

The area where infrared signals from the wireless remote are received. Aim the remote control to this area for best results.

### 8. Cassette Holder Close Button

**CAUTION:** Be sure to press this button to close the cassette holder. Otherwise, the tape may become slack and may be damaged.

### 9. Cassette Holder

A power source must be connected to the camcorder before a cassette can be inserted or removed.

### 10. EJECT Switch

A power source must be connected before cassettes can be inserted or removed though the CAM/OFF/VIDEO switch may be set to OFF ("Inserting and Removing Cassettes," p18)

### iii11. LCD Monitor

You can view the pictures as they are being recorded and play them back immediately after recording on the 3-inch LCD screen.

### 12. BRIGHT Control

Use this to adjust the brightness of the LCD monitor screen ("Adjusting the Brightness of the LCD Screen", p25).

### 13. EIS (Electronic Image Stabilizer) Button

EIS corrects the slight shaking of an image ("Using the Electronic Image Stabilizer," p37).

### 14. 16x9 button

With this button the picture format can be switched from 4:3 (picture format of a normal TV set) to 16:9 ("Using 16x9", P39).

### 15. DATE/TITLE (DISP.) Button

Use this button to record the date, time and title on your tape. Any time that the date, time and title displays appear in the viewfinder, they are recorded on your tape. This button can be used instead of DISPLAY button on the remote control in the VIDEO mode.

**Note:** Be sure to insert the clock battery before setting the date and time or creating a title.

Right side/Battery cover Illustration

### 16. Ring of Tape Transport

▶▶ - F.F Button

Use this button to fast forward tapes or for visual search. During visual search the camcorder fast forwards at

approximately 9 times normal playback speed. Also use this button to set date and time.

- STOP Button

Use this button to stop playback, fast forward, or reverse. Also use this button to set date and time.

◀ - REW Button

Use this button to fast rewind tapes or for visual search. During visual search the camcorder rewinds at approximately 7 times normal playback speed. Also use this button to set date and time. Furthermore, use this button to review the last few seconds of the tape you are recording.

▶ - PLAY Button

Use to playback recorded tapes.

### **17. FOCUS Control Buttons**

Press these buttons simultaneously to select manual or automatic focus. For manual focusing ("Using Manual Focus", p37), press the F or N buttons to bring the subject into focus. When using manual focus, FOCUS appears in the viewfinder.

### **18. FADE Button**

The FADE button features three modes; white fade, wipe fade, and zoom fade ("Using Fade," p38).

### **19. Diopter Control**

To use the electronic viewfinder, turn this control for your optimum focus adjustment.

### **20. CAM/OFF/VIDEO Power Switch**

Hold down the red button as you slide the switch to CAM or VIDEO. You do not need to hold down the red button to slide the switch to OFF.

### **21. INST. ZOOM (Instant Zoom) Button**

Use this button to magnify the image being recorded 1.5 times momentarily.

### **22. Power Zoom Switch**

Use this to zoom automatically ("Using the Power Zoom," p 35).

### **23. Camera Light Shoe**

Attach the DC camera light here.

### **24. OPEN Lever**

Use this to open or close the cover of the power supply attachment holder ("Camcorder Batteries", p15).

### **25. Power Supply Attachment Section (Behind the cover)**

Attach a battery or alkaline batteries here ("Camcorder Batteries", p15, 16).

### **26. Hand Strap**

Refer to page 13.

### **27. DC IN Jack (Behind the jack cover)**

When using the AC adapter/charger, connect one end of the DC cord (provided) to this jack and the other end to the DC OUTPUT jack of the AC adapter/charger. When using the car battery cord (optional), connect this jack and the DC OUTPUT jack of the car battery cord.

Right side/Jack covers/Underside Illustration

### **28. Start/Stop Button**

When the CAM/OFF/VIDEO switch is in CAM press this button to start recording. When pressed a second time the camera pauses.

During playback use this button to stop the tape temporarily. Pressing a second time resumes normal playback.

### **29. AV IN/OUT Jack (Behind the jack cover)**

Use this jack to connect the camcorder to a VCR or television ("Playing Back Your Recording on Your TV," p29, 30, "Dubbing from the Camcorder to a VCR," p45, "Recording Television Programs", p54).

### **30. AV OUTPUT Jacks (Behind the jack cover)**

Use this jack to connect the camcorder to a VCR or television.

### **31. VOLUME Control**

Use this to adjust the volume when viewing a played back picture on the LCD monitor ("Playback", p27).

### **32. Tripod Mounting Threaded Socket**

Use this threaded socket to mount the camcorder to a tripod.

### **33. Clock Battery Compartment**

Pull the battery holder and install the clock battery (provided).

### **34. Shoulder Strap Slots**

Attach the shoulder strap here.

Remote Control Illustration

### **35. TV Control Buttons**

Used for controlling the TV.



- **POWER:** Turns the TV on and off.
- **AVX:** Used for recording picture and sound from an auxiliary input.
- **VOLUME:** Increase (▲) or decrease (▼) the volume.
- **CHANNEL:** Top (▲) button switches to the next higher channel, bottom (▼) button switches to the next lower channel. For these to operate, you must have preset your channels. ("Controlling your TV with the Camcorder's Remote Control" p54).

#### **36. Recorder's Remote Control**

The shaded buttons on the remote control have the same functions as the corresponding buttons on the camcorder.

#### **37. S.EDIT (Synchro Edit) Button (only on the remote control)**

Use this button to activate the synchro edit function for dubbing ("Using Synchro Edit", p46).

#### **38. COUNTER RESET Button (only on the remote control)**

Use this button to reset the linear time counter to 0:00:00.

#### **39. TITLE ON/OFF Button (only on the remote control)**

Use this button to create and record titles for your tapes ("Creating and Recording a Title," p 43).

#### **40. DISPLAY Button**

Use this button to select the viewfinder and TV display ("Using the Display Button," p41). This button can be used instead of the DATE/TITLE button on the camcorder in the VIDEO mode.

#### **41. A/V DUB Button (only on the remote control)**

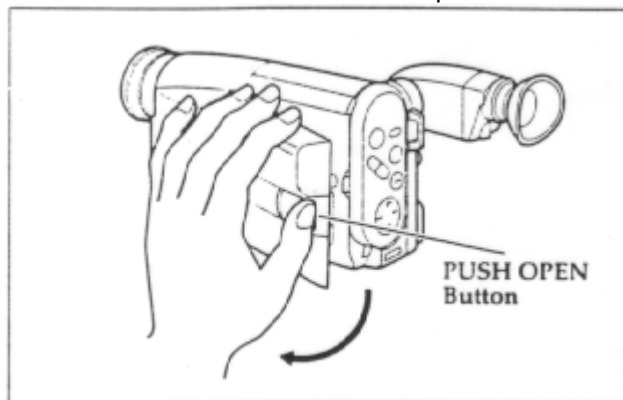
Use this button to record new audio and video over existing audio and video.

iv

*When using the LCD monitor during recording and playback, you can adjust the brightness of its screen and the angle of the monitor.*

## **Opening the LCD Monitor**

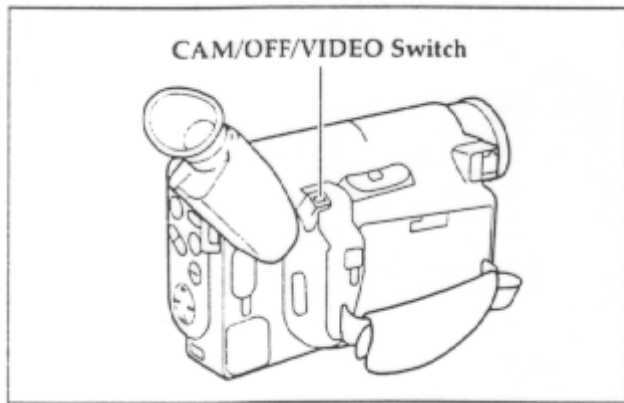
1. Press the PUSH OPEN button to open the LCD monitor.



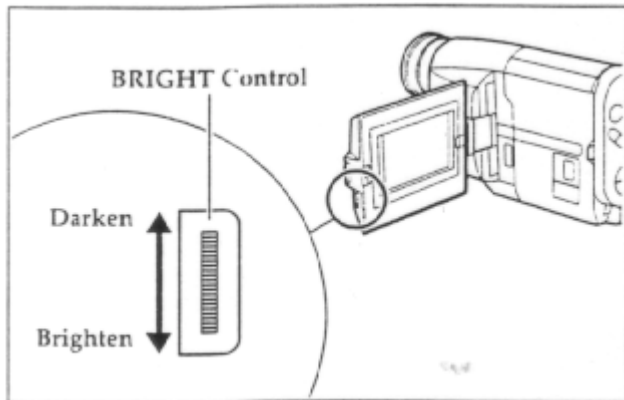
## **Adjusting the Brightness of the LCD Screen**

**Note:** Even when the picture on the LCD monitor is adjusted, the recorded video will not change.

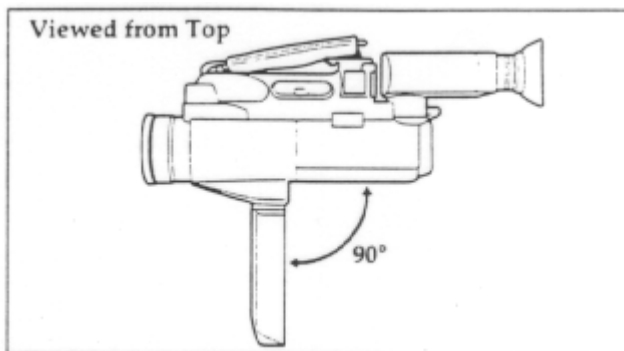
1. Load the battery ("Loading Batteries: Camcorder Batteries", p15). Press the red button on the CAM/OFF/VIDEO switch as you slide it to CAM or VIDEO.



2. Use the BRIGHT control on the side of the LCD monitor to adjust the brightness of the LCD screen.



### Range in which the LCD Monitor can be moved



#### ⚠Cautions on LCD Monitor Screen

- Do not touch the LCD screen with your fingers as the screen could get dirty and the picture will not be seen clearly. If the LCD screen becomes dirty, use a soft cloth to wipe off the dirt.
- If the camcorder is used in a cold place and becomes too cold, the LCD screen will be dim for a while after the power is turned on. When the temperature inside the camcorder rises, the brightness of the picture will become normal.
- Do not hold by the LCD monitor as this could cause a malfunction.
- Open the LCD monitor by 90° before changing its direction. If you were to attempt to invert its direction before opening it completely, it could cause a malfunction.
- Close the LCD monitor after making sure it is parallel with the camcorder. If you were to close the monitor while it faces the same direction as the lens or it is diagonal, it could damage the LCD monitor.
- Do not disassemble the LCD monitor as this might cause a malfunction.
- When opening the LCD monitor, be careful that no water droplets adhere to the monitor screen.

and that no water or dust enters the camcorder through the gap as it could cause a malfunction.

## Basic Techniques

*The batteries are in place and charged, the date and time are set, and you are familiar with the controls. It's time to make a recording. Basic recording is easy and simple. Hooking up the camcorder to your TV is not complicated but give yourself plenty of time to ensure connections are correct.*

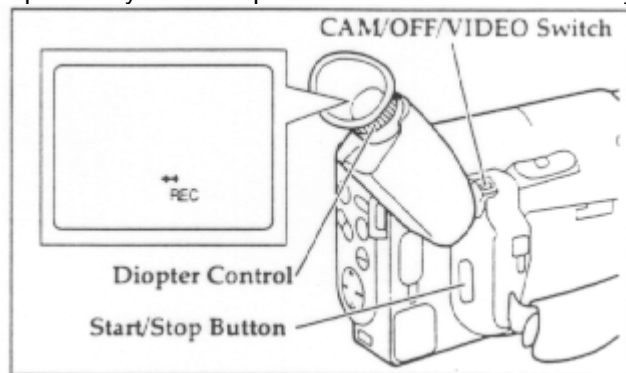
*This section guides you through basic recording and playback. Practice the basic techniques of recording and playback on something unimportant such as traffic or a short tour of your backyard. Once familiar with how the machine works you can move to the more sophisticated features with less stress.*

*Let's get started!*

## Making a Basic Recording

*The Hitachi VM-E625LA uses PROGRAM AE auto exposure that automatically selects the optimum shutter speed (either 1/60, 1/120, 1/180, 1/250, 1/350, 1/500, 1/750, 1/1000, 1/1500, 1/2000, or 1/4000 of a second). The iris adjusts automatically in response to shutter speed.*

1. Connect the camcorder to a power source ("Loading Batteries; Camcorder Batteries," p 15 ~ p17).
2. Open the LCD monitor and insert a cassette ("Inserting and Removing Cassettes," p18).
3. Press the red button on the CAM/OFF/VIDEO switch as you slide it to CAM. ■ appears and the camcorder is now ready to record.
4. When you are ready to record press the Start/Stop button. REC appears in the viewfinder or LCD monitor and the camcorder records the picture you see in the viewfinder or LCD monitor.
5. To stop recording press the Start/Stop button and REC disappears from the viewfinder or LCD monitor replaced by ■. This places the camcorder in standby.



**Note:** If the LCD monitor is opened or closed (the monitor picture is switched between the viewfinder and LCD monitor) during recording, the on-screen display will disappear for about one second. It is recommended that you do not switch the picture during recording as the date or title superimposed in the picture being recorded will disappear for about one second.

**Note:** If the LCD monitor is opened or closed during recording, several white stripes may appear in the picture, but this does not indicate a fault. However, these stripes are recorded with the picture, so it is recommended that you do not close or open the LCD monitor during recording.

**Note:** TAPE flashes in the viewfinder or LCD monitor when the tab on the side of the cassette is completely visible.

**Note:** TAPE END flashes in the viewfinder or LCD monitor when about 3 minutes or less remain of the tape cassette.

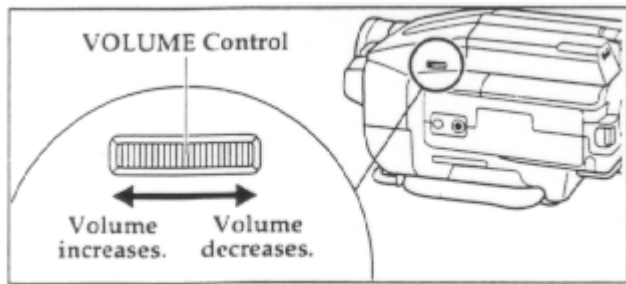
**Note:** If the camcorder is left in record/pause mode for more than 5 minutes, the camcorder turns off automatically. To restart it press the Start/Stop button and the camera returns to record/pause mode.

## Playback

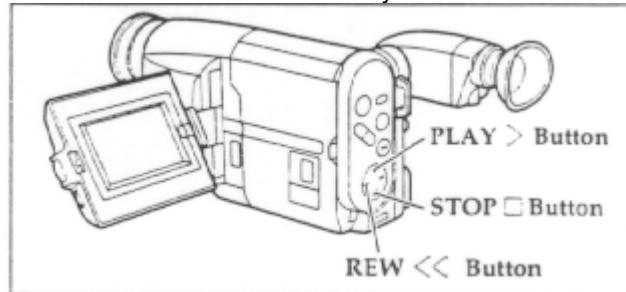
*You can view recorded pictures on the 3-inch LCD monitor immediately after recording.*

1. Hold down the red button on the CAM/OFF/VIDEO switch while sliding the switch to VIDEO.

2. Press the REW button to the position where you want to start playback.
3. Press the PLAY button and play back the tape. To adjust the volume for the internal speaker, adjust the VOLUME control at the bottom of the camcorder.



4. Press the STOP button when you have finished.



**Note:** When the LCD monitor is turned on and left as it is, the monitor becomes warm, but this does not indicate fault.

**Note:** When alkaline batteries are used to power the camcorder, power is not supplied to the LCD monitor, so you cannot view a picture on the LCD screen.

**Note:** When the CAM/OFF/VIDEO switch is set to "CAM" or "VIDEO", the LCD monitor is turned on and off automatically when the LCD monitor is opened and closed.

**Note:** It is recommended that you close the LCD monitor to save the battery power when playing back a picture on a TV or recording or TV program without viewing it.

**Note:** Only the playback sound is heard. The sound being recorded is not heard.

## Simple Playback (Using the Electronic Viewfinder or LCD monitor)

1. Insert the cassette ("Inserting and Removing Cassettes," p18).
2. Hold down the red button on the CAM/OFF/VIDEO switch while sliding the switch to VIDEO.
3. Press the PLAY button and enjoy your video.
4. Press the STOP button when finished.

## Using Still

To view a still picture during playback press the Start/Stop. Press the Start/Stop button again to resume playback. If you leave the camcorder in play/pause mode for more than 5 minutes the camcorder automatically stops the cassette to prevent damage to the tape.



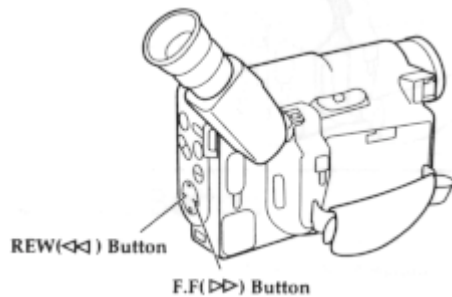
**Note:** When you engage play/pause mode the still picture will have some interference or noise. This is normal.



## Using Forward and Reverse Search

When looking for a particular point in your videotape use the F.F button and REW button to find the spot quickly.

- Press F.F button during playback to play the tape forward at approximately 9 times normal speed. Press PLAY button to return to normal playback.
- Press REW button during playback to play the tape backwards at approximately 7 times normal speed. Press PLAY button to return to normal playback.



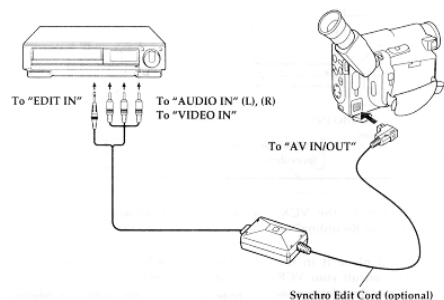
**Note:** When you engage F.F button or REW button the picture will have some interference or noise. This is normal during search mode.



## Playing Back Your Recording on Your TV

Depending on the setup of your video equipment, you connect the camcorder in one of the 3 methods explained below.

### Connecting to a Television with a VCR Attached



1. Connect the provided AV stereo output cable to the AUDIO IN and VIDEO IN jacks of your VCR. Connect either the right or left audio plug into your VCR if it has only one AUDIO IN jack.

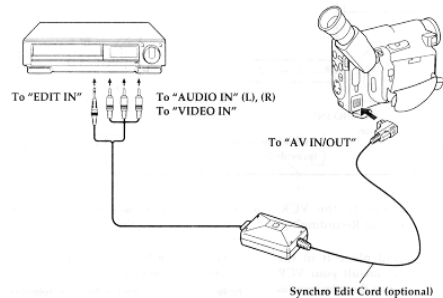
**Note:** If your VCR has two (stereo) AUDIO IN jacks, connect the audio plug to the left-channel AUDIO IN jack.

2. Connect the free square plug to the AV IN/OUT jack of the camcorder.
3. Insert a previously recorded cassette into the camcorder.
4. Turn on your VCR and place it in the camcorder input mode (consult your VCR manual for details). Operate the

television as you normally do to see the signal coming from the VCR.

5. Hold down the red button on the CAM/OFF/VIDEO switch while sliding the switch to VIDEO.
6. Press the PLAY button to begin playback.
7. Press the STOP button when finished.

## Connecting to a Television with Audio In and Video In Jacks



1. Connect the provided AV stereo output cable to the AUDIO IN and VIDEO IN jacks of your television. Connect either the right or left audio plug into your television if it has only one AUDIO IN jack.

**Note:** If your television has two (stereo) AUDIO IN jacks, connect the audio plug to the left-channel AUDIO IN jack.

2. Connect the free square plug to the AV IN/OUT jack of the camcorder.
3. Insert a recorded cassette into the camcorder.
4. Turn on your television and set to the camcorder input mode (consult your television manual for details).
5. Hold down the red button on the CAM/OFF/VIDEO switch while sliding the switch to VIDEO.
6. Press the PLAY button to begin playback.
7. Press the STOP button when finished.

## Connecting to a Television without Audio In and Video In Jacks

1. Disconnect the VHF antenna leads from the back of the television. Leave the UHF antenna leads connected.
2. Connect the VHF antenna lead to ANT IN of the RF output adapter. If the cable on the VHF antenna lead is flat you need to purchase an antenna adapter (300-ohm to 75-ohm transformer). Connect the antenna adapter to the VHF antenna lead and slide the adapter on to the ANT IN terminal.
3. Connect the 75-ohm coaxial cable of the RF output adapter to the VHF antenna terminals on the back of the television. If the television is set up to connect to a flat antenna lead you need to purchase antenna adapter (75-ohm to 300-ohm transformer). Connect the adapter to the 75-ohm coaxial cable of the RF output adapter and connect the free ends of the adapter to the VHF antenna terminals at the back of your television.
4. Connect the RF output adapter cable to the AV IN/OUT jack of your camcorder.
5. Turn your television on and select channel 3 (channel 4 if channel 3 is a channel used in your area).
6. Select the CH3 or CH4 on the RF output adapter matching the channel selected on your television.
7. Insert the previously recorded cassette into the camcorder.
8. Hold down the red button on the CAM/OFF/VIDEO switch while sliding the switch to VIDEO.
9. Press the PLAY button to begin playback.
10. Press the STOP button when finished.

## Advanced Techniques

*The Hitachi VM-E625LA offers a diverse group of features that add interest and excitement to your video. Adding fades to smooth transitions creates video with a professional look.*

*As you learn and practice with these features think of situations that they might fit in and add a special touch.*

## Changing the Angle of the LCD Monitor when Recording

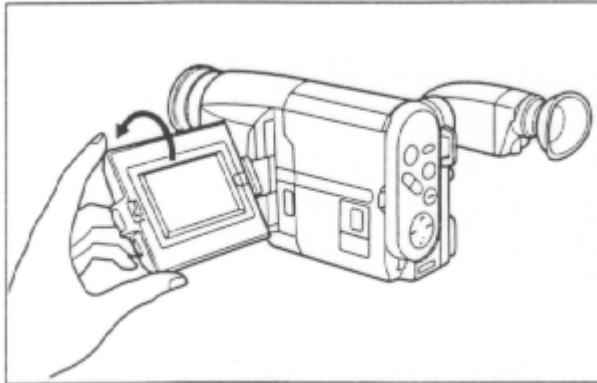
*You can change the angle of the LCD monitor so that the picture on the LCD screen can be monitored from different positions.*

*See "LCD Monitor" (p. 25) for the range in which you can change the angle of the LCD monitor.*

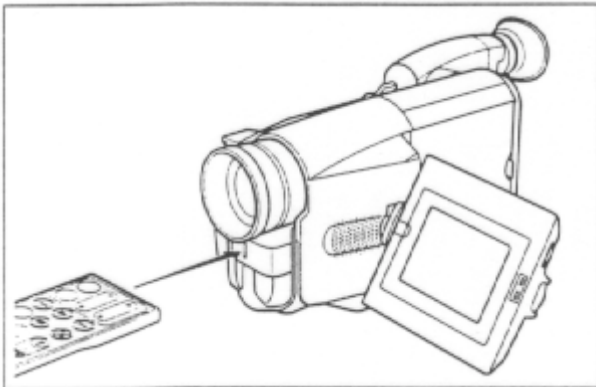
**Note:** You need the remote control to operate the camcorder.

## Recording an Image of Yourself while Monitoring the LCD Screen

1. Open the LCD monitor ("Opening the LCD Monitor", p25).
2. Turn the LCD monitor so the monitor screen faces the same direction as the lens.



Press the START/STOP button on the remote control, and the camcorder will begin recording.

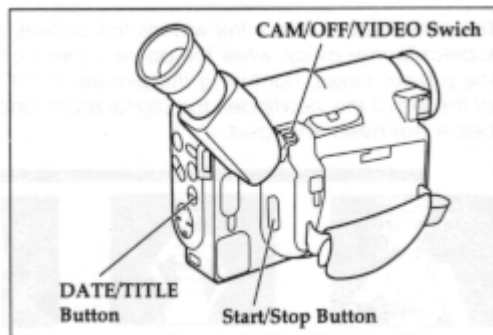


**Note:** Tilt the LCD monitor in the direction of the camera lens so that it faces up slightly, and the screen may be viewed easily.

## Date Recording

*When the date has been set, the camcorder will enter the automatic date recording mode automatically.*

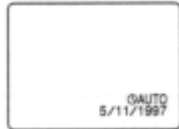
1. Press the red button on the CAM/OFF/VIDEO switch as you slide it to CAM.
2. Press the DATE/TITLE button to specify the date display you want to record.



### AUTO and Date - Automatic Date Recording

This option records the date automatically once a day at the beginning of recording for ten seconds





**Note:** The camcorder records the same date when;

- the cassette is replaced.
- you select AUTO and date display again.
- the recording is less than 10 seconds long.

**Note:** If the date changes while recording continues over 10 seconds, the new date is recorded for about 10 seconds the next time you make a recording.

### TITLE and Date - Automatic Title and Date Recording

This option records the date and created title (see "Creating and Recording a Title" on p46) automatically once a day at the beginning of recording for 10 seconds.



**Note:** When TITLE is displayed in the viewfinder or LCD monitor, the title cannot be turned on or off using the remote control.

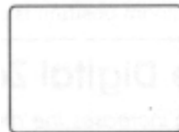
### Date - Date Recording

The camcorder records the date with the picture all the time.



### No Display - No Date Recording

The camcorder does not record the date.



### Date and Time - Date and Time Recording

The camcorder records the date and time with the picture all the time.



3. Press the start/stop button. Recording will start.

**Note:** When AUTO and date display is selected, the date disappears about 10 seconds after recording is started.

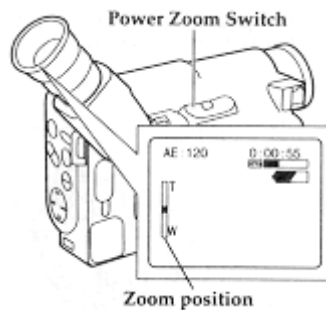
**Note:** When TITLE and date display is selected, the title and date disappear about 10 seconds after recording is started.

## Using the Power Zoom

The power zoom W control widens the picture, moving the subject farther away, while the power zoom T control brings the subject closer, narrowing the picture. If ZOOM appears at the left of the viewfinder or LCD monitor, the digital zoom function shown below has been engaged.



When the power zoom switch is operated, the zoom position is displayed in the viewfinder or LCD monitor for about 5 seconds and then disappears. The zoom position is displayed in 10 steps.



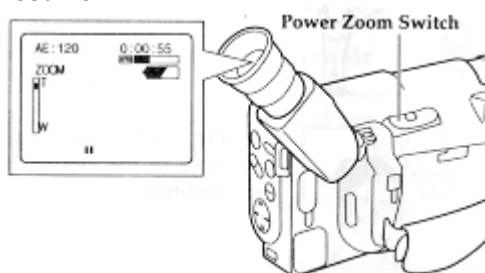
## Using the Digital Zoom

The digital zoom increases the magnification of the power zoom by 2 times. You must place the subject you wish to magnify at the center of the viewfinder or LCD monitor.



**Note:** This digital zoom has certain limitation and may degradate at extreme magnification and amplify camcorder's movement.

Press and hold the power zoom T control until you find the picture you want. You control the zoom with the power zoom T and W controls. When ZOOM is not displayed in the viewfinder or LCD monitor, normal zoom functions resume.



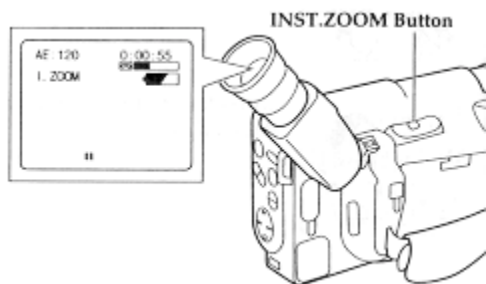
## Using the INST. ZOOM (Instant Zoom) Button

The instant zoom feature activates the digital zoom to magnify the subject 1.5 times regardless of zooming engaged by the power zoom T and W controls.

Press the INST. ZOOM button. I. ZOOM appears at the left of the viewfinder or LCD monitor and the picture is magnified 1.5 times.

**Note:** To return to the original zoom position, press the INST. ZOOM button so that I. ZOOM disappears from the viewfinder or LCD monitor.

**Note:** This instant zoom has certain limitations and may degradate at extreme magnification and amplify camcorder's movement.



## Using Auto Focus

The camcorder focuses the subject in the center of the viewfinder or LCD monitor automatically unless the manual focus is engaged. If FOCUS appears in the viewfinder or LCD monitor, manual focus is engaged. Press the FOCUS control buttons simultaneously to return to auto focus.

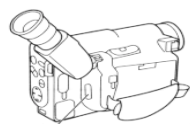


Good



No good

The auto focus will not work under the following conditions and you must focus manually:



Start/Stop Button

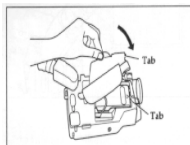
Objects outside the center of the viewfinder



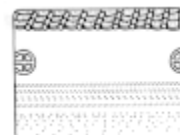
Objects at different distances in the center of the viewfinder



Brightly lit objects such as a neon light, objects lit by spotlight, etc.



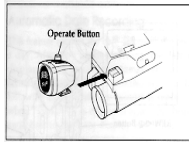
Objects behind water dappled or dusty glass



Objects with little difference in light reflection such as a white wall



Rapidly moving objects



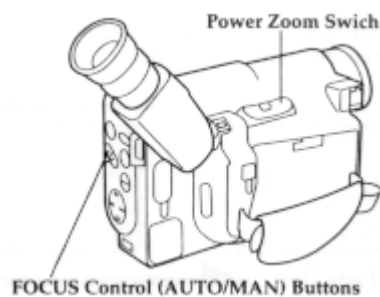
Dark objects

**Note:** With the T zoom control you can use the auto focus with subjects that are 3.3 feet away from the lens and further away to infinity. With the W zoom control you can use the auto focus with subjects 3/8 inches (1cm) away from the lens and further away to infinity.

## Using Manual Focus

1. Press the FOCUS control buttons simultaneously. FOCUS displays in the viewfinder or LCD monitor. You can adjust the focus manually.
2. Use the power zoom T control to zoom up completely to your subject. If you don't use the T control to zoom to the picture you want, the picture may fall out of focus when actual recording starts.
3. Press the Focus control F (far) or N (near) button until the subject is in focus.
4. Use the power zoom W control to zoom back to the picture you desire.

**Note:** To return to auto focus press the FOCUS control buttons and the FOCUS disappears from the viewfinder.

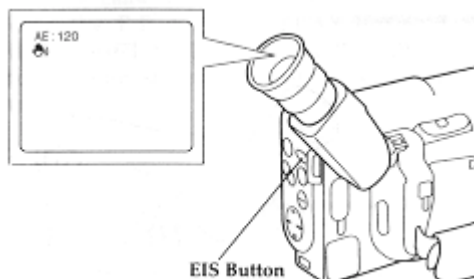


## Using the Electronic Image Stabilizer

The electronic image stabilizer (EIS) corrects slight shaking of the image being recorded and is effective in the following situations.



- While you zoom to a distant subject.
- While you approach a small subject.
- While you walk around.
- While you record from inside a moving vehicle.



1. Press the EIS button. The EIS icon appears in the viewfinder or LCD monitor.
2. Press the Start/Stop button to start recording. When EIS is engaged the viewfinder or LCD monitor image shakes with a slight delay.

**Note:** EIS may not function if you use a wide or tele converter lens.

**Note:** When the EIS function is engaged in the vicinity of the zoom range with ZOOM displayed in the viewfinder or LCD monitor, when moved from the wide-angle end, the image size will change, but this is normal.


**Note:** When the EIS function is engaged, the picture becomes rough.

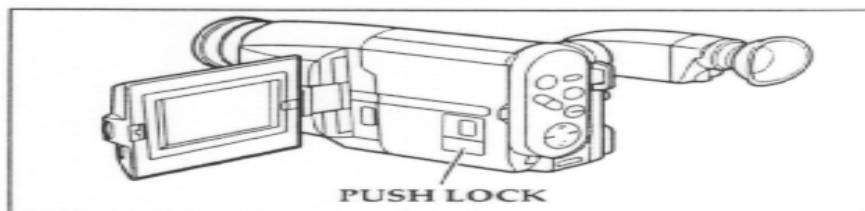
**Note:** When the EIS function is engaged, the angle of view at the wide-angle end becomes narrower.


**Note:** It is recommended that you do not use the EIS function when using a tripod. The sensor would detect vibrations from the tripod in which case the picture would be blurred.

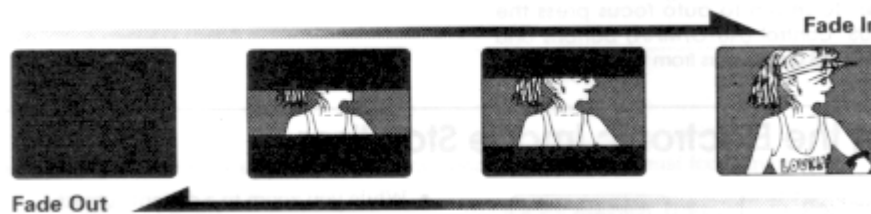
## Using Fade


Use the fade feature to add a professional touch to your recordings. Use the FADE button to select one of the three fade options.

- White fade: Fades in from a white screen or fades out to a white screen.  appears in the upper left corner of the viewfinder or LCD monitor.



- Wipe fade: The picture opens gradually from the center of a black screen or closes into the center to a black screen.  appears in the upper left corner of the viewfinder or LCD monitor.



- Zoom fade: Fades in while zooming from a white screen or fades out while zooming to a white screen.  appears in the upper left corner of the viewfinder or LCD monitor.




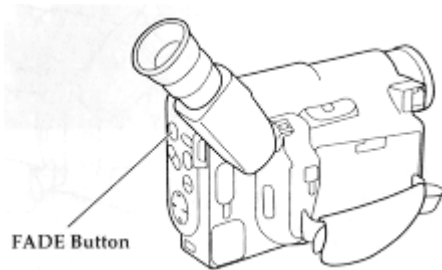
## Fading In

1. Use the FADE button to select a fade option before recording.
2. Press the Start/Stop button to start recording; fade begins automatically.

## Fading Out

1. While recording with the camcorder use the FADE button to select a fade option.
2. Press the Start/Stop button to stop recording; the fade begins automatically and REC flashes until the fade ends.

**Note:** When fading out be sure to wait until the PAUSE indicator (  ) is visible in the viewfinder or LCD monitor before attempting to put the camcorder into the record mode again.

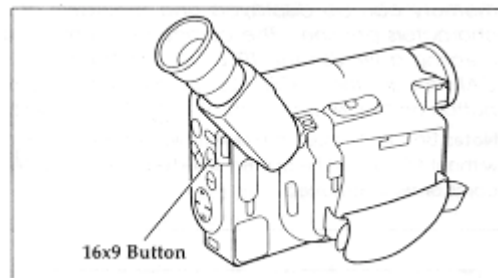


## Using 16x9

Pressing the 16x9 button during recording or recording pause fades the top and bottom of the picture in the viewfinder or LCD monitor to black.



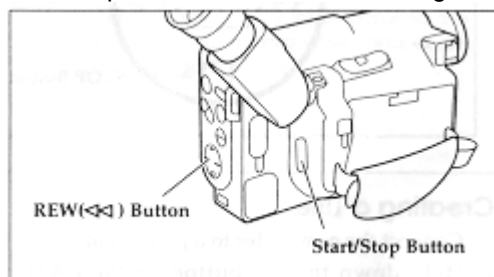
- "16x9" is displayed in the viewfinder or LCD monitor.
- When the 16x9 button is pressed again, "16x9" disappears and the normal picture is restored.



## Using Instant Review

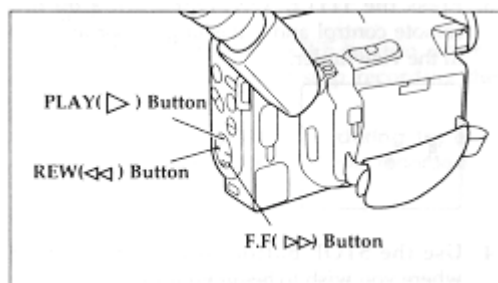
Use this feature to view the last few seconds of the tape you shot.

1. Set the camcorder to record/pause mode and tap the REW button. The last few seconds of tape play back in reverse and then in normal playback mode.
2. The camera plays back to the spot where you paused and returns to record/pause mode (standby). Press the Start/Stop button to resume recording.



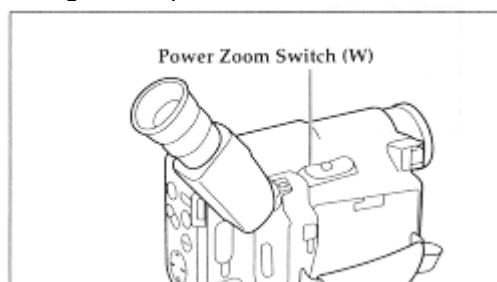
## Using Quick Edit

Use quick edit to search for the end of previously recorded material, find a particular spot on your tape, begin editing, or record new material. While the camera is in record/pause mode hold down the F.F, REW, or PLAY button and visually search the tape. Release the button and the camcorder stops the tape at the exact position you selected.



## Using Macro

This function allows you to shoot subjects as close as 3/8 inches (1cm). Press and hold the power zoom control W. The camera focuses on the subject automatically. Check your lighting as it tends to be insufficient when filming close up.



## Date Search

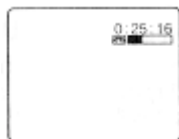
The date search function memorizes the start and end positions of recordings you made on a specific day so you can easily locate those positions later as long as the cassette is left in the camcorder.

**Note:** Be sure that the date and time are set.

1. Attach a power source and slide the CAM/OFF/VIDEO switch to VIDEO.
2. Press the DATE/TITLE button (the DISPLAY button on the remote control) to display "SEARCH" in the viewfinder or LCD monitor.



3. Press the REW button to search for the start position from which you last made a recording or the F.F button (the F.FWD button on the remote control) to recording end position.
4. When the required position is located, the camcorder enters the stop mode and "SEARCH" disappears from the viewfinder or LCD monitor.



**Note:** If you have ejected the cassette, this function will not operate with that cassette. (When a cassette is inserted and the recording is started, the position is identified as the recording start position on that day.)

**Note:** If the clock battery is not inserted, the date search function does not operate when the battery providing the power to the camcorder is removed.

**Note:** When the cassette was recorded by another camcorder, the date search function does not operate.

**Note:** The date search function is released when you press the STOP button during date search mode.

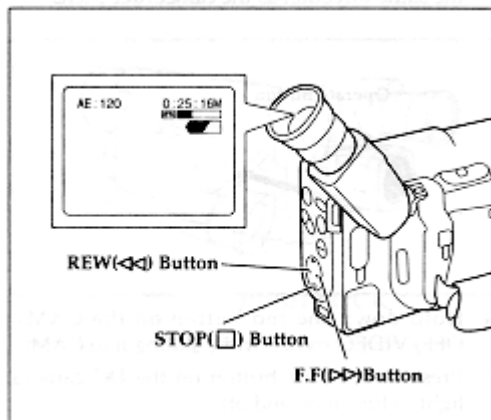
**Note:** If the recorded time is less than 30 seconds, the date search function may not operate normally.



## Using Memory

The linear time counter memory stops a rewinding tape at approximately 0:00:00M. This feature helps in locating a specific point in the tape to which you wish to return. An example might be that you have recorded some tape that you have already watched, you continue recording but do not care to watch the tape you recorded earlier. The memory feature returns you to the beginning of the most recent recording.

1. Start recording or playback of a cassette. Press the COUNTER RESET button on the remote control at the point to which you wish to return. The linear time counter clears to 0:00:00M.
2. Press the STOP button to stop playback, or press the start/stop recording and set the CAM/OFF/VIDEO switch to VIDEO.
3. Press the DISPLAY button on the remote control so the linear time counter with memory is displayed as shown in the figure.
4. Press the REW button and the tape stops at approximately where you reset the linear time counter. This feature works in F.F as well.

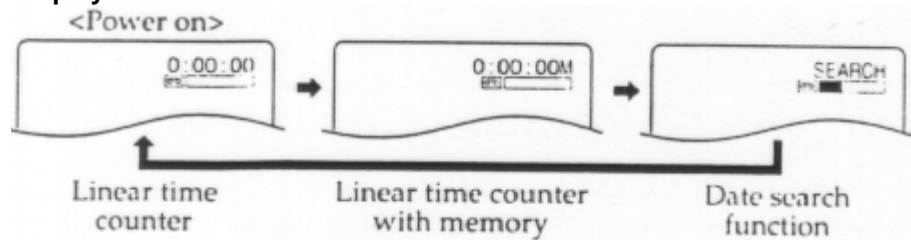


**Note:** The memory "M" indication appears automatically in the CAM mode.

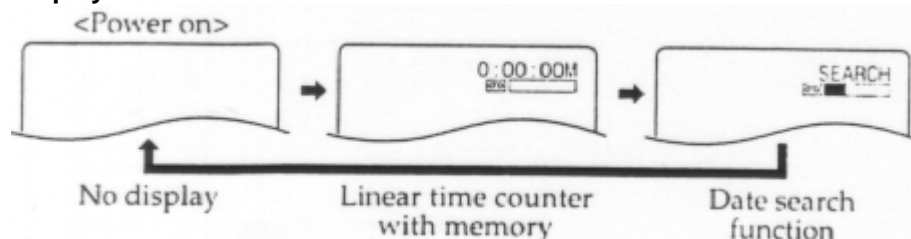
## Using the Display Button

Pressing the DISPLAY button on the remote control allows you to switch the displays in the viewfinder or to the LCD monitor.

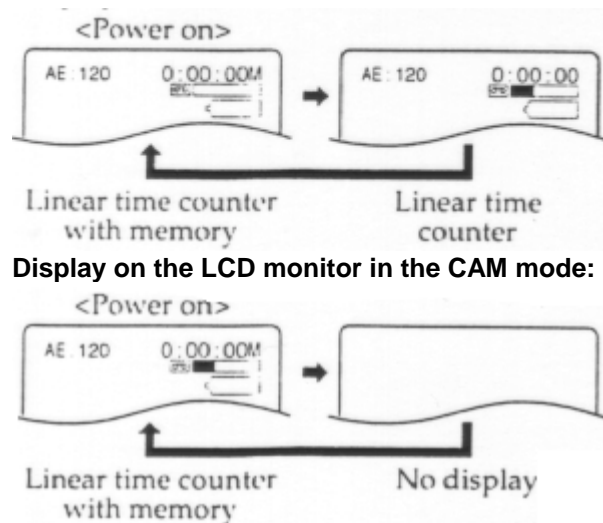
**Display in the viewfinder in the VIDEO mode:**



**Display on the LCD monitor in the VIDEO mode:**



**Display in the viewfinder in the CAM mode:**



- When a recorded tape is in the camcorder during the VIDEO mode, "SEARCH" appears in the viewfinder. (Refer to "Date Search" on page 40).

**Note:** The linear time counter with the memory feature and "SEARCH" in the viewfinder or LCD monitor can also be displayed on the connected television.

**Note:** If the LCD monitor is opened or closed (the picture is switched) during playback, the on-screen display in the picture will disappear for about one second, and then reappear again.

**Note:** When the date and time appear on the LCD monitor, you cannot erase them by pressing the DISPLAY button. If you want to erase the on-screen display, press the DATE/TITLE button on the camcorder.

## Using the Wireless Remote Control

Use the wireless remote control to operate the camcorder from a distance. The PLAY, F.FWD, REW, STOP, PAUSE (START/STOP) and ZOOM buttons on the wireless remote control operate the functions of the corresponding buttons on the camcorder. Aim the wireless remote control at the infrared receiver of the camcorder.

Aiming remote Illustration

**Note:** Use the wireless remote control within the range of the infrared receiver of the camcorder shown above.

**Note:** The wireless remote control may not function in strong light such as direct sunlight or very bright artificial lighting.

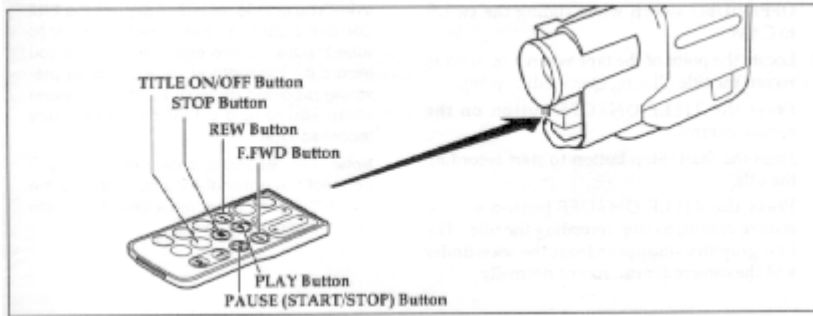
**Note:** Clear a direct path from the wireless remote control to the infrared receiver. The wireless remote control won't work if an obstacle blocks the infrared rays.

**Note:** The remote control code of this camcorder is Hitachi code VCR2. If you have a VCR with the same code your Hitachi VCR may malfunction when you use the camcorder's wireless remote control.

## Creating and Recording A Title

Create titles easily and personalize your recordings while keeping a permanent visual record of what is contained on a tape. The camcorder can store a title in its memory. A title stored in memory can be displayed and recorded at any time. A title contains two lines of up to 16 characters per line. The camcorder contains 47 different characters for creating a title. When creating and recording a title, use the TITLE ON/OFF button on the remote control. (When creating a title in the CAM mode, the DATE/TITLE button of the camcorder can be used instead of the TITLE ON/OFF button on the remote control. " TITLE" should be displayed in the viewfinder at this time.)

**Note:** Be sure to insert the clock battery before creating a title. Although a title can be created without the clock battery inserted, it will disappear when the battery providing power to the camcorder is removed.

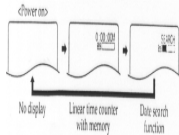


## Creating a Title

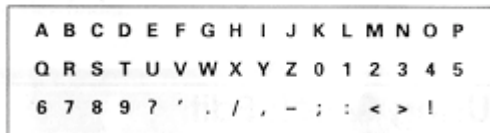
1. Connect the camcorder to a power source.
2. Hold down the red button on the CAM/OFF/VIDEO switch and slide it to either CAM or VIDEO.
3. Press the TITLE ON/OFF button on the remote control and a flashing cursor appears in the viewfinder or LCD monitor.



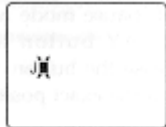
4. Use the STOP button to place the cursor where you wish to begin your title.
5. Use the F.FWD and REW buttons to select the first character of your title.



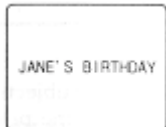
Characters available for your title.



6. Once you've selected a character press the STOP button to set it.



7. Complete the title by repeating steps 5 and 6.



8. When you complete your title, press the TITLE ON/OFF button on the remote control to store the title in memory and remove the title graphics from the viewfinder or LCD monitor.

**Note:** As long as the correct current time can be displayed, the title is held in memory.

## Correcting Errors

1. Press the TITLE ON/OFF button on the re-mote control.
2. Use the STOP button to select the character to be corrected.
3. Use the F.FWD and REW buttons to correct the character.
4. Press the TITLE ON/OFF button on the remote control to store the corrected title in memory.

## Recording Title on a Tape in the Camcorder

1. Hold down the red button on the CAM/OFF/VIDEO switch while sliding the switch to CAM.
2. Locate the point of the tape where you wish to record the title ("Using Quick Edit," p39).
3. Press the TITLE ON/OFF button on the remote control.
4. Press the Start/Stop button to start recording the title.
5. Press the TITLE ON/OFF button on the remote control to stop recording the title. The title graphics disappear from the viewfinder or LCD monitor and the camcorder can record normally.

**Note:** Create and store your title before an event you plan to record. Just press the TITLE ON/OFF button on the remote control to superimpose the title over the scene as you record it. This method avoids erasing previously recorded material which will happen when you record a title on a previously recorded tape.

**Note:** Title recording is disabled when you connect the optional AV input cable to the AV IN/OUT jack to record video and audio from the television or VCR.

## Recording a Created Title while Transferring a Tape

1. Connect the camcorder to the VCR (p.29).
2. Turn on the VCR and set it to record. Hold down the red button on the CAM/OFF/VIDEO switch while sliding the switch to VIDEO. Press PLAY on the camcorder.
3. Press the TITLE ON/OFF button on the remote control at the point on the tape where you wish to record the title.
4. Press the TITLE ON/OFF button on the remote control again to stop recording the title.

**Note:** Recording the title during tape transfer will erase a portion of your recorded material.

## Dubbing from the camcorder to a VCR

*Connect the camcorder to a VCR to copy your or a friend's home 8mm recordings to VHS.*

Camcorder to VCR Connection Illustration

1. Connect your camcorder to the VCR, following "Playing Back Your Recording" on page 29.
2. Turn on your VCR and place it in the camcorder input mode (consult your VCR manual for details). Operate the television as you normally do to see the signal coming from the VCR.
3. Hold down the red button of the CAM/OFF/VIDEO switch while you slide the switch to VIDEO.
4. Insert the recorded tape in the camcorder and a blank tape into the VCR. Set the VCR to record.
5. Play the tape from the camcorder while recording on the VCR.

**Note:** If the VCR is connected to a television and the VCR/TV selector is set to VCR, you can monitor the tape being dubbed.

**Note:** Reduce the volume of the camcorder as low as possible during dubbing. Otherwise the played back pictures could be distorted.

## Using Synchro Edit

*Use synchro edit to record segments of a previously recorded tape when dubbing from the camcorder to a VCR. This requires an optional synchro edit cable. The Hitachi VM-E625LA uses a flying erase head to eliminate glitches or rainbow noise that sometimes occurs between edits. Your VCR must have the EDIT IN jack to use the synchro edit.*

Synchro Edit Hookup Illustration

1. Connect the synchro edit cable to the AV IN/OUT jack of your camcorder.
2. Connect the synchro edit cable to the AUDIO IN, VIDEO IN, and EDIT IN jacks of your VCR. Connect either the right or left audio plug into your VCR if it has only one AUDIO IN jack. Turn on your VCR and place it in the camcorder input mode (consult your VCR manual for details).
3. Insert the recorded tape in the camcorder and a blank tape into the VCR.
4. Play the tape in the camcorder until you find the place you want to record. Press the Start/Stop button.
5. Press the Record button on the VCR. It automatically sets to pause. If the VCR begins to record instead of pausing you need to change the position of the polarity switch on the synchro edit cable. Stop the VCR, change the position of the switch, and press the Record button on the VCR.
6. Press the S.EDIT button on the remote control and the last few seconds of the recorded tape reviews in the viewfinder and then the camcorder is placed in playback. The recording VCR starts recording automatically.
7. Press the F.FWD, REW, STOP, and Start/Stop buttons to pause the VCR. You can then search forward or

back through the tape without affecting the tape in the VCR.

Use the F.FWD and REW buttons to search the tape. Press the PLAY button to resume normal playback. To resume recording on the tape in the VCR, press the Start/Stop button and then the S.EDIT button.

To fast forward or rewind the tape, press the STOP button, then F.FWD or REW. To return to recording on the tape in the VCR, press the STOP button, then the PLAY button, then the Start/Stop button, and then the S.EDIT button.

8. To stop recording at a certain point turn on the camcorder's linear time counter with memory ("Using Memory," p.41). Press the COUNTER RESET button on the remote control where you wish the recording to stop. The linear time counter resets to 0:00:00M. Rewind to the point where you wish to start recording and start copying. When the linear time counter reaches 0:00:00 the recording stops automatically, pausing the VCR in the record mode.

**Note:** If the tape counter reads "0:00:00M" you cannot start recording.

**Note:** Reduce the volume of the camcorder as low as possible during dubbing. Otherwise the played back pictures could be distorted.

## Simple Programmable Edit (Edit remote control is optional accessory)

Simple programmable edit allows you to program your camcorder to select the scenes you want to copy from a pre-recorded tape. Use the edit remote control (optional) to easily copy scenes from a recorded tape in the camcorder (playback machine) onto a blank tape in a table-top VCR which handles infrared signals (recording machine).

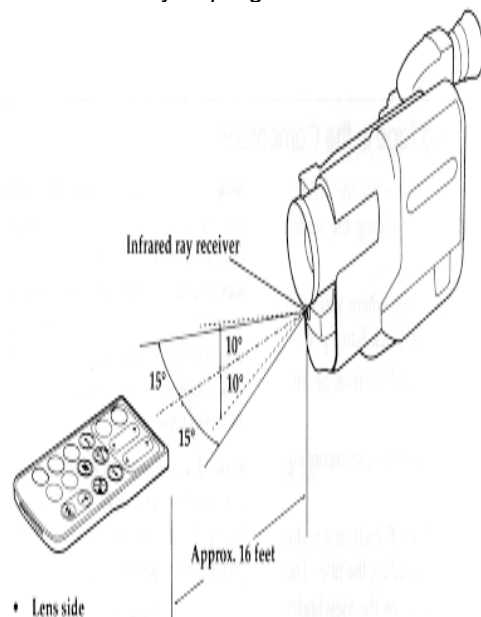
**Note:** Only the VM-RM20EDA edit remote control (optional) can be used with this camcorder.

**Note:** Some VCRs cannot be operated by the edit remote control (optional).

Example of Programmable Editing

## Programming the Remote Control for the VCR

It is necessary to program the edit remote control to match the VCR before starting editing.



1. Turn the VCR on.
2. Aim the remote control at the infrared receiver on the VCR and press the VCR SET button on the remote control and hold it, then press the button corresponding to the VCR's maker code. For example, if you have a RCA VCR, press the VCR SET button and hold it, then press the DISPLAY button. To check whether the remote control code matches that of your VCR or not, point the remote control at the infrared receiver on the VCR and press the VCR SET button and hold it. If the remote control code has been set, the VCR channel is counted up automatically.

**Note:** Your VCR should have an infrared remote control.

**Note:** If the channel on the VCR does not change with the above operation, you need to switch the remote control code of your VCR. Refer to the VCR's instruction manual. If the channel still does not change after you have changed the VCR's remote control code, the edit remote control cannot operate your VCR.

#### VCR Brands Press VCR SET and This Button

Hitachi	REVERSE
Sony	PROGRAM
Panasonic	FORWARD
Toshiba	IN
Mitsubishi	COPY START
Sanyo	OUT
Sharp	◀◀
NEC	▶
JVC	▶▶
Akai	A/V DUB
Gold Star	■
PHILIPS	
RCA	DISPLAY
Zenith	COUNTER RESET
Magnavox	TITLE ON/OFF

**Note:** The remote control code is held in memory until it is changed or the batteries are replaced.

**Note:** Point the remote control straight at the VCR's infrared receiver for operation.

**Note:** Use the remote control indoors. When the infrared receivers of the VCR and camcorder are exposed to direct sunlight or strong artificial light, the remote control may not operate correctly.

**Note:** The remote control cannot be operated if there is an obstacle between the remote control and infrared receiver. Especially, be careful of this during dubbing.

**Note:** When the edit remote control is connected to the camcorder, the buttons marked \* in the figure above perform the same operations as those of the other remote control provided.

## Operation

You can select up to four different scenes or segments to be copied at one time.

**Note:** If sunlight or strong artificial light strikes the camcorder's infrared receiver, the editing operation may not be possible.

#### Programmable Edit Hookup

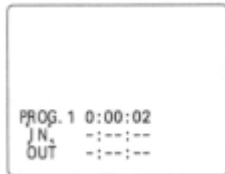
1. Use the audio/video cable to connect the camcorder and VCR as illustrated and then connect the edit remote control to the camcorder.

**Note:** If your VCR has two (stereo) AUDIO IN jacks, connect the audio plug to the left-channel AUDIO IN jack.

2. Insert a recorded tape into the camcorder.

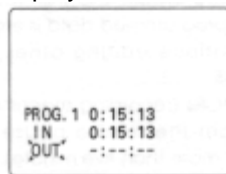
3. Set the CAM/OFF/VIDEO switch of the camcorder to VIDEO. Turn the recording VCR on and select line input.

4. Press the PROGRAM button of the remote control. The program display appears in the viewfinder.

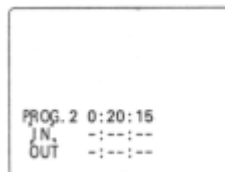


**Note:** If your VCR is connected to a TV, the program display will also appear on the TV screen.

5. Press the **▶** button and use the **▶▶** or **◀◀** button to search for the starting point of the segment you want to copy. Press **▶** and then **⏸** to set the camcorder to the play pause mode. The linear time counter counts when searching for the starting point. Use the FORWARD and REVERSE buttons in the play or pause mode to fine adjust the tape position. Press FORWARD and hold it; the tape is played while the button is held. Press REVERSE and hold it for reverse play.
6. Press the IN button to store the counter reading. When you press the IN button, OUT flashes in the program display.



7. Press the **▶▶** button to search for the end of the segment you want to copy. Press **▶** and then **⏸** to set the camcorder to the play pause mode. Use the FORWARD or REVERSE button as required to fine adjust the tape position.
8. Press the OUT button to store the counter reading at the end of the scene.



9. Continue programming as described above until you have entered up to four different segments.
10. Load a blank tape, then set the VCR to the record pause mode.
11. Point the remote control at the receiver on the VCR and press the COPY START button to start simple programmable edit.
  - The camcorder automatically searches for the beginning of the first segment and starts playback. The recording VCR automatically starts recording
  - After recording the first segment, the camcorder automatically searches for the beginning of the next segment and resumes playback. The recording VCR is automatically released from the record pause mode and resumes recording.
  - It continues recording and pausing until all the programmed segments are edited.
12. When simple programmable edit is finished, the camcorder will enter the stop mode, and the VCR will enter the record pause mode.

**Note:** If you make a mistake during programming, start again from the beginning or press the COUNTER RESET button to return to the previous steps one by one and enter the correct program data.

**Note:** After the simple programmable edit is finished, the programmed data is erased. If you want to continue editing other segments, repeat steps 5 - 12.

**Note:** Most VCRs (recording machine) may be released from the record pause mode if it continues for more than five minutes.

**Note:** The dubbing start and end positions may slightly drift from the specified positions when certain VCRs are used.

**Note:** Reduce the volume of the camcorder as low as possible during dubbing. Otherwise the played back pictures could be distorted.

## To End Programmable Simple Edit

Press the PROGRAM button to remove the program display from the viewfinder or the LCD monitor. Then press



the stop button on the recording VCR to set it to the stop mode.

**Note:** If the CAM/OFF/VIDEO switch of the camcorder is set to OFF or CAM when the recording VCR is in the record pause mode, the VCR enters the record mode.

## Controlling Your TV with the Camcorder's Remote Control

*The remote control is designed to be compatible with many televisions, but will not work with every one made. If your TV does not respond the way it should when you program it as explained below, this remote may be incapable of operating it.*

*Once you have programmed the remote, you won't have to do it again until you change the batteries.*

This remote control can be used with your TV as well as the camcorder, as long as your TV comes with a remote control. This feature comes in handy - you don't have to juggle two remotes.

The remote control is compatible with the fourteen makers of TVs listed on the next page - but don't be alarmed if yours is not on our list. You may still be able to program the remote for your TV.

Every TV that comes with a remote control is set up to detect certain infrared signals. You need to program the camcorder remote control to send signals that your TV will recognize and respond to. Here's what to do:

### Programming the Remote Control

- Turn the television on (any channel is okay).
  - Aim the camcorder's remote control at your TV set. Hold down the CH (▲) button while you press the button corresponding to your brand of television as shown in the chart (page 52). For example, if you have an RCA television, press CH (▲) and DISPLAY at the same time. If this button combination sends a signal that matches your TV, the channel will change on the TV, and you'll know the remote is set to control the television.
  - If that button combination does not change the TV channel, go through the whole list of button combinations one by one until you find one that does change your TV channel.
- Also, if your brand of TV is not listed in the chart, try all the buttons. One of them may work for you. If the TV channel still doesn't change after going through all the button combinations listed, it is likely that you will not be able to program this remote control for your TV.

#### TV Brands Press CH (▲) and This Button

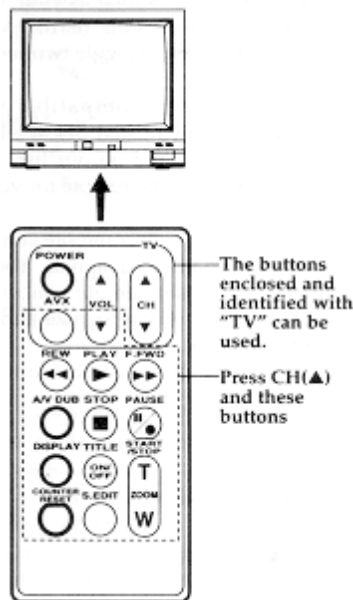
Hitachi	AVX
Zenith	VOL (▼)
Sony	ZOOM.(W)
Magnavox	REW
Sanyo	PLAY
Gold Star 1	F.FWD
Toshiba	AV DUB
Gold Star 2	STOP
NEC	PAUSE (START/STOP)
RCA	DISPLAY
Panasonic	TITLE ON/OFF
Mitsubishi	ZOOM.(T)
JVC	COUNTER RESET
Sharp	S.EDIT

## Controlling the TV

Once programmed, the camcorder's remote control is ready to control the TV.

- Press the button of the TV function that you want.

Be aware that not all of your TV's functions may work even though the remote control is correctly programmed.



**Note:** It may not be possible to control all TVs listed in the Table.

**Note:** The AVX Button can't be used with Gold Star 2 and Sharp TVs.

## Using Audio/Video Dubbing

Use audio/video dubbing to record audio and video from the camcorder's built-in microphone and camera onto a previously recorded tape in the camcorder.

Remote Control Audio/Video Dubbing Buttons

1. Connect your camcorder to the television, following "Connecting to a Television with Audio In and Video In Jacks" on page 30.
2. Turn on your television and place it in the camcorder input mode (consult your television manual for details).
3. Hold down the red button on the CAM/OFF/VIDEO switch while sliding the switch to VIDEO.
4. Insert a previously recorded tape in the camcorder.
5. Use the wireless remote control and press the PLAY button. Use the PLAY, F.FWD, and REW buttons to find the place where you want to stop dubbing. Press the PAUSE (START/STOP) button.
6. Display the linear timer counter with memory ("Using Memory," p.41). Press the COUNTER RESET button to set the linear time counter to 0:00:00M.
7. Use the REW and PLAY buttons to find where you wish to start dubbing. Press the PAUSE (START/STOP) button.
8. Press and hold the A/V DUB button while pressing the PLAY button. This places the camcorder in A/V DUB pause mode.
9. Press the PAUSE (START/STOP) button. The audio/video dubbing starts. When the linear time counter reaches 0:00:00M the camcorder stops automatically, recording only the portion of the tape that you selected.

**Note:** If the camcorder is in AV DUB pause or STILL mode for more than 5 minutes, the camcorder stops automatically to protect the tape.

**Note:** Automatic date recording is disabled during audio/video dubbing.

**Note:** When the audio/video dubbed portion is played back, noise may appear at the end of the dubbed portion.

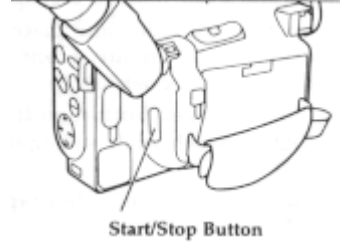
## Recording Television Programs

If your television or VCR has AUDIO OUT and VIDEO OUT jacks you can record television programs with your

camcorder.

Recording Television Programs Illustration

1. Connect the optional AV input cable to the VIDEO OUT and AUDIO OUT jacks of your television or VCR.
2. Connect the free plug to the AV IN/OUT jack of your camcorder.
3. Connect the camcorder to a power source.
4. Insert a cassette in the camcorder.
5. Hold down the red button on the CAM/OFF/VIDEO switch while sliding the switch to CAM.
6. Turn your television or VCR on and tune it to the channel you wish to record from.
7. Press the Start/Stop button to start recording the program that is on the screen of the television.
8. Press the Start/Stop button again to stop recording.

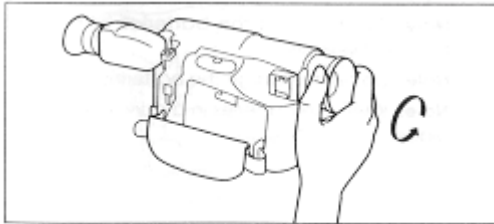


**Note:** If the tape is played back while the AV input cable is left connected to the camcorder, noise may appear in the picture. In this event, press the STOP button to stop the camcorder, unplug the AV input cable and play back the tape again.

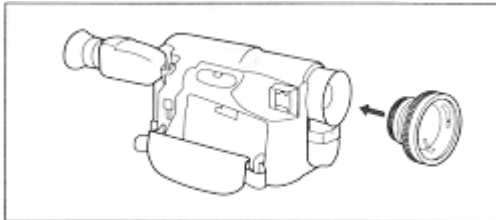
**Note:** To monitor the picture being recorded, connect the AV Stereo Output Cable (provided) to the VIDEO IN jack of the television as shown above.

## Attaching the Optional Wide or Tele Converter Lens

1. To remove the lens hood, turn it counterclockwise.



2. Remove both caps of the converter lens.
3. Screw the lens into the threads on the camcorder lens assembly.



## Attaching the Optional DC Camera Light

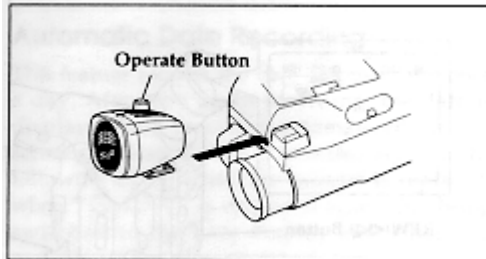
You can use the DC camera light to light subjects in darkened areas or correct unflattering shadows. Use the camera light wisely as it greatly reduces the time you may use a charged battery.

**Note:** The DC camera light cannot be used when you are viewing the picture on the LCD monitor.

NEVER TOUCH THE DC CAMERA  
LIGHT TERMINAL WHEN  
THE CAMCORDER IS TURNED ON TO  
AVOID ELECTRIC SHOCK.

1. Slide the CAM/OFF/VIDEO switch to OFF.

2. Connect a fully charged batteries or the AC adapter/charger ("Loading Batteries; Camcorder Batteries" p.15, "Using Alternative Power Sources" p.17).
3. Slide the DC camera light onto the DC camera light shoe with the camera light lens facing the same direction as the camcorder's lens.
4. Hold down the red button on the CAM/OFF/VIDEO switch while sliding it to CAM.
5. Press the operate button on the DC camera light to turn it on and off.

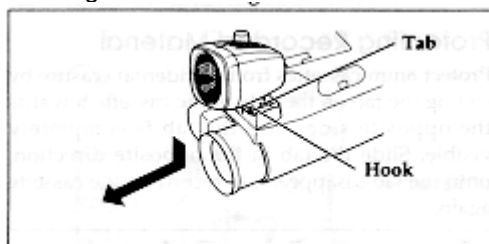


#### Notes when using the DC camera light:

- Keep the DC camera light away from splashing or dripping water.
- Never cover the DC camera light with paper, plastic or other object as the cooling vents may become blocked possibly causing the camera light to overheat.
- Never use the DC camera light in the vicinity of explosive or highly flammable materials.
- Always allow the DC camera light to cool fully before storing.
- The DC camera light becomes very hot during use of the camera light or immediately after use. Be careful that your hand or hair does not touch them.
- When the DC camera light is on, avoid subjecting the camera light to impacts or sharp vibrations.
- If the DC camera light is turned on and off during recording, there could be noise in the picture. Watch the battery charge indicator especially when using a battery as the power source.
- When the DC camera light is used, the operation time of the camcorder when a fully-charged battery pack is attached is halved.

## Removing the DC Camera Light

Depress the light to release the tab from the hook and then move the light in the direction of the arrow as shown in the figure.

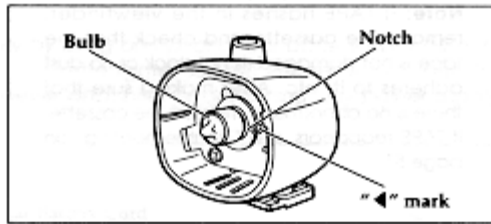


## Replacing the DC Camera Light Bulb

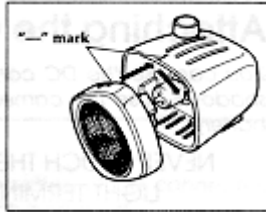
1. Turn the front of the case counter-clockwise and remove it.



2. Remove the bulb by pulling it out through the opened case.



3. Install the new bulb by aligning the notch in the rim of the bulb's base with the "◀" mark outside the socket. Avoid touching the bulb directly with your fingers. It may shorten the life of the bulb.
4. Reattach the front of the case by placing the bulb in the hole of the reflective plate, lining up the smaller "-" mark on the front of the cover with the "-" mark on the DC camera light, and turning the front of the cover clockwise till the larger "-" mark on the front of the cover aligns with the "-" mark on the DC camera light. Check that the front of the camera light is attached properly before turning the light on.



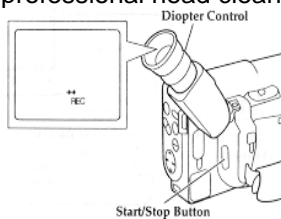
**Note:** Only replace the camera light bulb with VM-CP4L (optional) to reduce the risk of fire.

## General Maintenance

### Cleaning the camcorder Heads

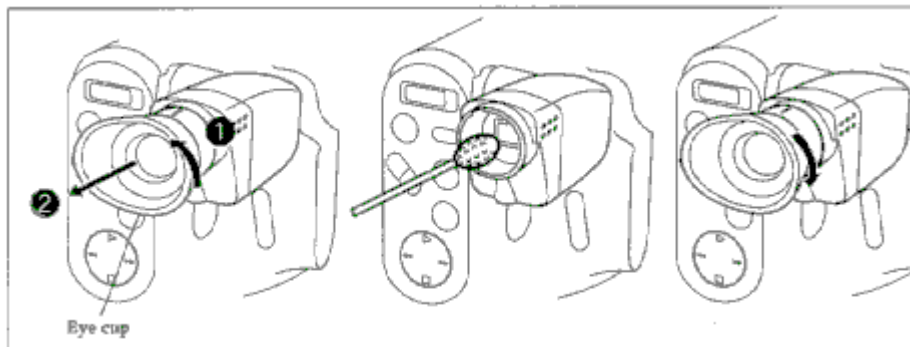
Dirt can accumulate on the video heads on the camera causing the playback picture to become blurred or appear as if video information is lost. This often means that the video heads are dirty. Use a video head cleaner such as a dry type head cleaning tape to clean the heads.

If after cleaning the heads the picture does not clear up consult your nearest dealer or VCR service center for professional head cleaning.



### Cleaning the Lens and Picture Tube of the Electronic Viewfinder

The lens of the electronic viewfinder can be user-cleaned if dust, dirt, or other foreign matter adheres to it.



1. Rotate and remove eye cup.
  2. Clean the picture tube face and lens.
- To prevent scratching, use a soft non abrasive cloth, swab or lens cleaning paper.

3. Fit the projection of the eye cup into the groove in the viewfinder and rotate the eye cup in the direction of the arrow.

## Periodic Maintenance

A precision electromechanical device, the Hitachi VM-E625A requires maintenance after a period of normal use. We expect that no other maintenance other than head cleaning will be required during the period of warranty unless the camcorder is used either heavily or seldom. Defective parts are covered by the warranty. Normal maintenance is the responsibility of the owner. Consult your dealer or local VCR service center for recommendations regarding normal maintenance based on your use patterns, location, and the age of the camcorder.

## Troubleshooting

*Quality is very important at Hitachi. We inspect and check every camcorder carefully at the factory under the most rigid quality control and inspection systems. If problems develop please check the following possible solutions before inquiring about professional service.*

### INSERTING OR REMOVING THE CASSETTE

#### Symptom

Cassette holder cannot be opened when you slide EJECT switch

Cassette cannot be inserted into cassette compartment

#### Check Point & Correction

- • Connect the power source
- Load cassette in direction indicated by arrow on cassette
- Cassette window must be toward outside.

### CAMERA RECORDING

#### Symptom

Picture does not appear in the viewfinder or LCD monitor.

The camcorder cannot go into the recording mode, even when the start/stop button is pressed.

Picture is out of focus.

#### Check Point & Correction

- Remove the lens cap.
- Slide the CAM/OFF/VIDEO switch to CAM.
- Disconnect the AV input cable from the camcorder.
- Check the record-protect tab on the cassette. See page 19 for details.
- Push the cassette holder embossed PUSH LOCK to close it.
- Slide the CAM/OFF/VIDEO switch to CAM.
- Make sure that FOCUS does not appear in the viewfinder or LCD monitor. If it is displayed, press FOCUS Control buttons to erase it.

- |  |   |
|--|---|
| Auto-focus does not operate.                 | <ul style="list-style-type: none"> <li>▪ Auto-Focus does not operate if a special-effects filter is attached or the objects shown on page 35 are being recorded.</li> </ul>   |
| The created title does not appear            | <ul style="list-style-type: none"> <li>▪ Insert the clock battery, then create a title.</li> <li>▪ Do not remove the clock battery after creating a title.</li> </ul>   |
| The LCD monitor does not turn on.            | <ul style="list-style-type: none"> <li>▪ It does not turn on when alkaline batteries are used to power the camcorder. Use another power supply</li> <li>▪ The LCD monitor cannot be powered through the DC cord while alkaline batteries are left in the camcorder. First remove the batteries, and then connect the DC cord to power the camcorder.</li> </ul> |
| The optional DC camera light cannot be used. | <ul style="list-style-type: none"> <li>▪ When you are viewing the picture on the LCD monitor the DC camera light cannot be used.</li> </ul>   |

## RECORDING TV PROGRAMS OFF THE AIR

### Symptom

The camcorder cannot be set to the recording mode, even when the Start/Stop button on the camcorder is pressed

### Check Point & Correction

- Check the record-protect tab on the cassette. See page 19 for details.
- Set the CAM/OFF/VIDEO switch to CAM.
- Connect the camcorder and TV or VCR.

## PLAYBACK OF PRE-RECORDED CASSETTE

### Symptom

"PLAY" button cannot be engaged.

No picture appears on television screen when "PLAY" is pressed. . (TV is connected to the camcorder by using RF output adapter.)

Interference on playback picture. (TV is connected to the camcorder by using output adapter.)

### Check Point & Correction

- Set the CAM/OFF/VIDEO switch to VIDEO
- Set the television to the camcorder channel (3 or 4) depending upon the selected channel in the RF channel select switch of RF output adapter.
- When you see the playback picture on your TV, RF adjust fine tuning knob on television set to obtain best picture



Picture bends at the top of the TV screen


- TV receiver is of older type. It needs to be modified to work properly with camcorder.
- Tape is damaged. Try another cassette.
- Color of your TV screen is too bright, too faint or change
- TV set has VIR circuit. Turn it off during playback

Date search function does not operate

- Slide the CAM/OFF VIDEO switch to VIDEO. Insert the clock battery, set the date and time, and then start recording.
- Do not remove the clock battery after recording.
- Do not eject the recorded cassette. Leave it in the camcorder.


## BATTERY CONDITION

### Symptom

The (  ) indication in the electronic viewfinder flashes to indicate battery is discharged.

### Check Point & Correction

- Try another battery or charge the battery.

The battery level indicator (  ) appears differently on the LCD monitor and in the viewfinder.

- This does not indicate a fault; it is because the power consumed by the LCD monitor and viewfinder is different.

## NO OPERATION IS ACCEPTED

### Symptom

Power is turned on, but no button operations are accepted

### Check Point & Correction

- Remove the power source and the date/title battery. And, after about one minute, the display in the viewfinder will be reset. Then set the information again.

The camcorder does not operate when alkaline batteries are inserted.

- Check that the polarities (+, -) of the batteries are correct. Insert six batteries.

## TAPE DISPLAY

### Symptom

TAPE appears in the viewfinder

### Check Point & Correction

- Have you moved the camcorder or cassette from a cold place to a warm place so that its temperature changed abruptly?
- If the temperature has changed, remove the cassette and set the CAM/OFF/VIDEO switch to OFF, then wait for about one hour.
- Remove the cassette and then try to reinsert: remove it several times.
- If the indication is still shown in the viewfinder, use a cleaning tape to clean the heads and replace the cassette.

## Specifications

### General Specifications

Power requirements	6V DC
Power consumption	5.1W (when recording/LCD monitor OFF) 7.3W (when recording/LCD monitor ON)
Dimensions	4-5/8" W x 4-3/4" H x 8-5/16" D (118mm x 120mm x 211mm)
Weight	2.31 lbs (approx. 1050g) without battery pack, lens lens cap or cassette
Operating temperature	32°F ~ 104°F (0°C ~ 40°C)
Storage temperature	-4°F ~ 140°F (-20°C ~ 60°C)

### Video Recorder Specifications

Format	8mm
Record/playback	Two video record/playback heads
Video signal	EIA standard NTSC color
Tape speed	14.3mm/sec
Video input	1.0Vp-p, 75 ohm
Video output	1.0Vp-p, 75 ohm
Audio input	-7.8dBs (316mVrms)
Audio output	-7.8dBs (316mVrms)
Fast forward/rewind time	Less than 8 minutes with P6-120 cassette

### Camera Specifications

Scanning	525 lines/60 fields/30 frames
Required minimum illumination	1 lux
Pickup device	1/4" C.C.D.
Lens diameter	46mm

For U.S.A. only

## HITACHI

Service Hotline

To locate an authorized  
HITACHI service facility

in the continental U.S.A.

**DIAL TOLL FREE**

7 days a week, 24 hours a day

800 HITACHI

1-800-448-2244

**Hitachi Home Electronics (America), Inc.**

Hitachi has made every effort to assure you hours of trouble free operation from your unit. However, should you require service, a network of Hitachi Authorized Service Facilities has been established in all 50 states and Puerto Rico. Each facility will provide you with convenient and expedient assistance. Our service "Hotline" operator will direct you to the Hitachi Authorized Service Facility nearest you. Just present proof of purchase and/or delivery receipts to the Hitachi Authorized Service Facility and service will be rendered in accordance with the terms of the limited warranty as stated on your warranty card or operating guide.

**Should you have any questions regarding in-warranty service, operation or technical assistance, please contact:**

**Hitachi Home Electronics (America), Inc.**

3890 Steve Reynolds Blvd

Norcross, GA 30093

Tel 404-279-5600

**Hitachi Sales Corporation of Hawaii**

3219 Koapaka St./Honolulu, HI 96819

Tel 808-836-3621

## Accessories Add Excitement

*We know that once you discover how much your Hitachi VM-E625LA can add to your life you will want to use these accessories for even more excitement. Converter lenses, adapters for synchro editing, and car cords are just a few of the exciting accessories available to you from Hitachi. Hitachi takes you to wherever your imagination leads.*

### Available Accessories

**Click to see Available Accessories**

To place an order for any of these items call our toll free number or use the ordering form on page 67.

**1-800-995-4500**

### More Available Accessories

**Click to see More Available Accessories**

### To Order in the United States

In Canada - Please use Canadian order form in French version of this manual - Page 65.

#### By Phone

To place an order by phone, have your VISA, MASTERCARD, or DISCOVER card ready and call the toll-free number (8:00AM ~ 6:00PM East Coast Time - workdays).

**1-800-995-4500**

#### By Mail

Complete the order form on page 67. Detach it and send it to the following address with your credit card information, money order, or check (in U.S. currency and payable to HiTRON, Inc.).

HiTRON is a subsidiary of Hitachi Home Electronics (America), Inc.

**HiTRON, Inc.**  
**675, Old Peachtree RD.**  
**Suwanee, GA 30174**

Please allow two to three weeks for delivery. If there is a current back order status on the model(s) you ordered, we will notify you.

Thank you for allowing us (Hitachi and HiTRON) to be of service to you...our valued customer!

(blank page)

Order form

VM-H725LA / VM-H825LA

**iCleaning Camcorder LCD viewfinder**

Do not use cotton swabs, they will damage LCD. First use a dry lens cloth. If dry lens cloth does not do the job, spray a **little** Windex on the cloth and then clean the LCD. According to Hitachi these LCDs can be easily damaged, so this must be done with the utmost care. 10/30/96

**iiCleaning Camcorder LCD viewfinder**

Do not use cotton swabs, they will damage LCD. First use a dry lens cloth. If dry lens cloth does not do the job, spray a **little** Windex on the cloth and then clean the LCD. According to Hitachi these LCDs can be easily damaged, so this must be done with the utmost care. 10/30/96

**iiiCleaning Camcorder LCD viewfinder**

Do not use cotton swabs, they will damage LCD. First use a dry lens cloth. If dry lens cloth does not do the job, spray a **little** Windex on the cloth and then clean the LCD. According to Hitachi these LCDs can be easily damaged, so this must be done with the utmost care. 10/30/96

iv

**vCleaning Camcorder LCD viewfinder**

Do not use cotton swabs, they will damage LCD. First use a dry lens cloth. If dry lens cloth does not do the job, spray a **little** Windex on the cloth and then clean the LCD. According to Hitachi these LCDs can be easily damaged, so this must be done with the utmost care. 10/30/96